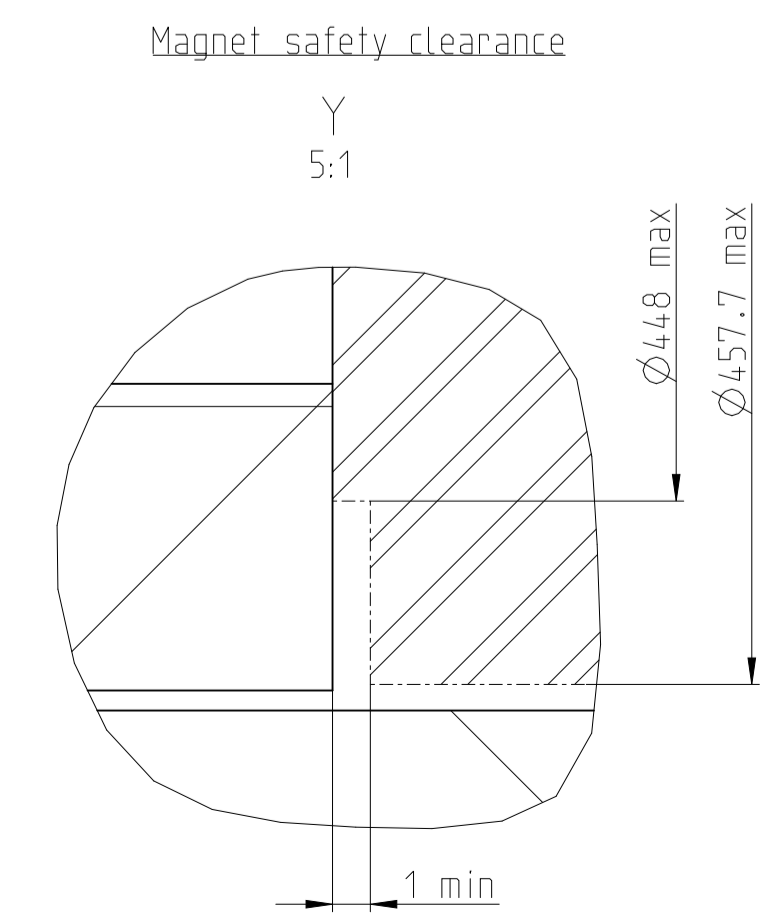
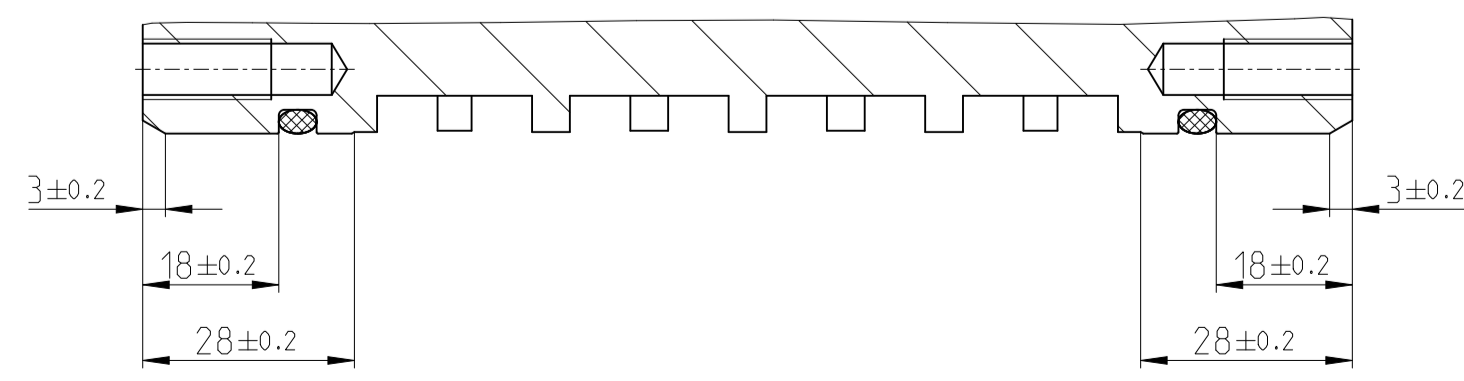
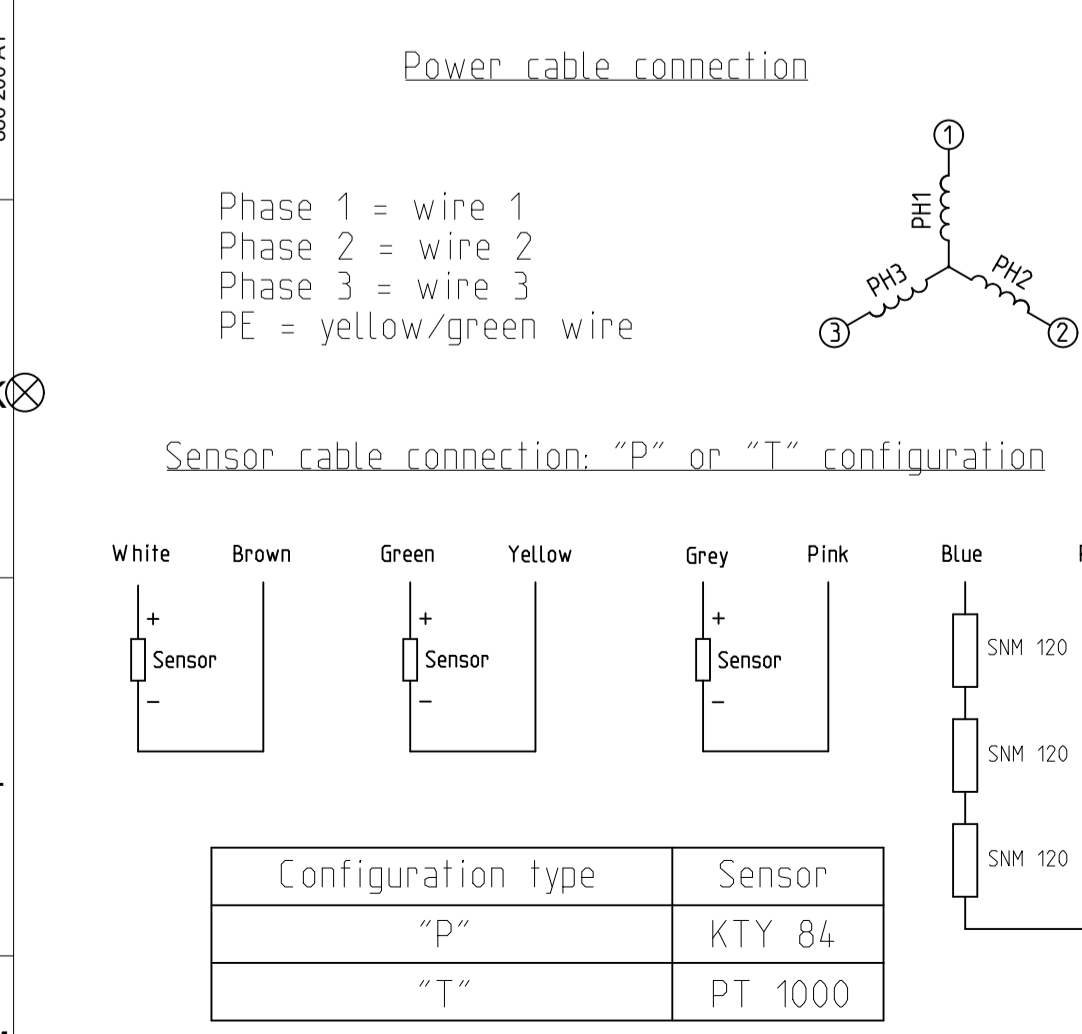
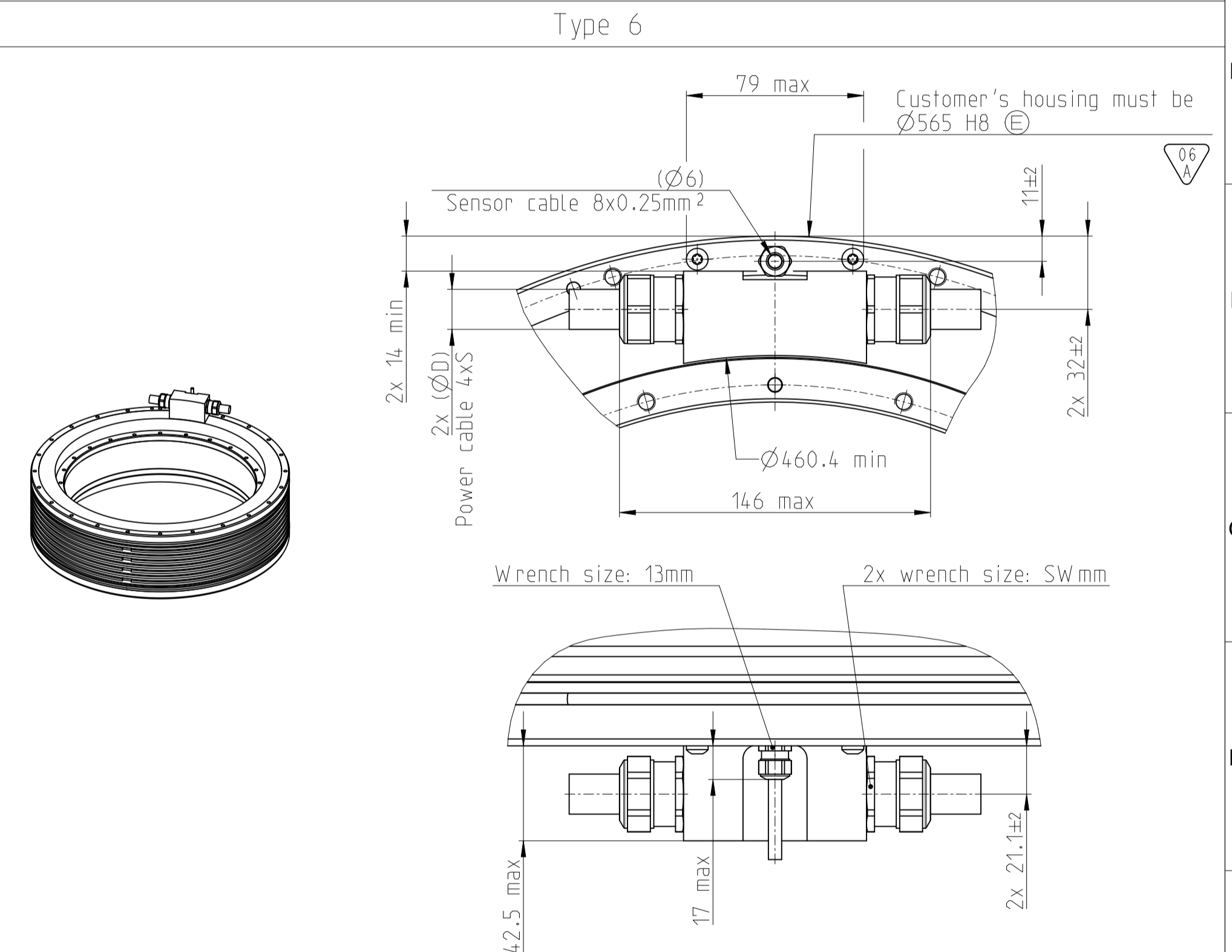
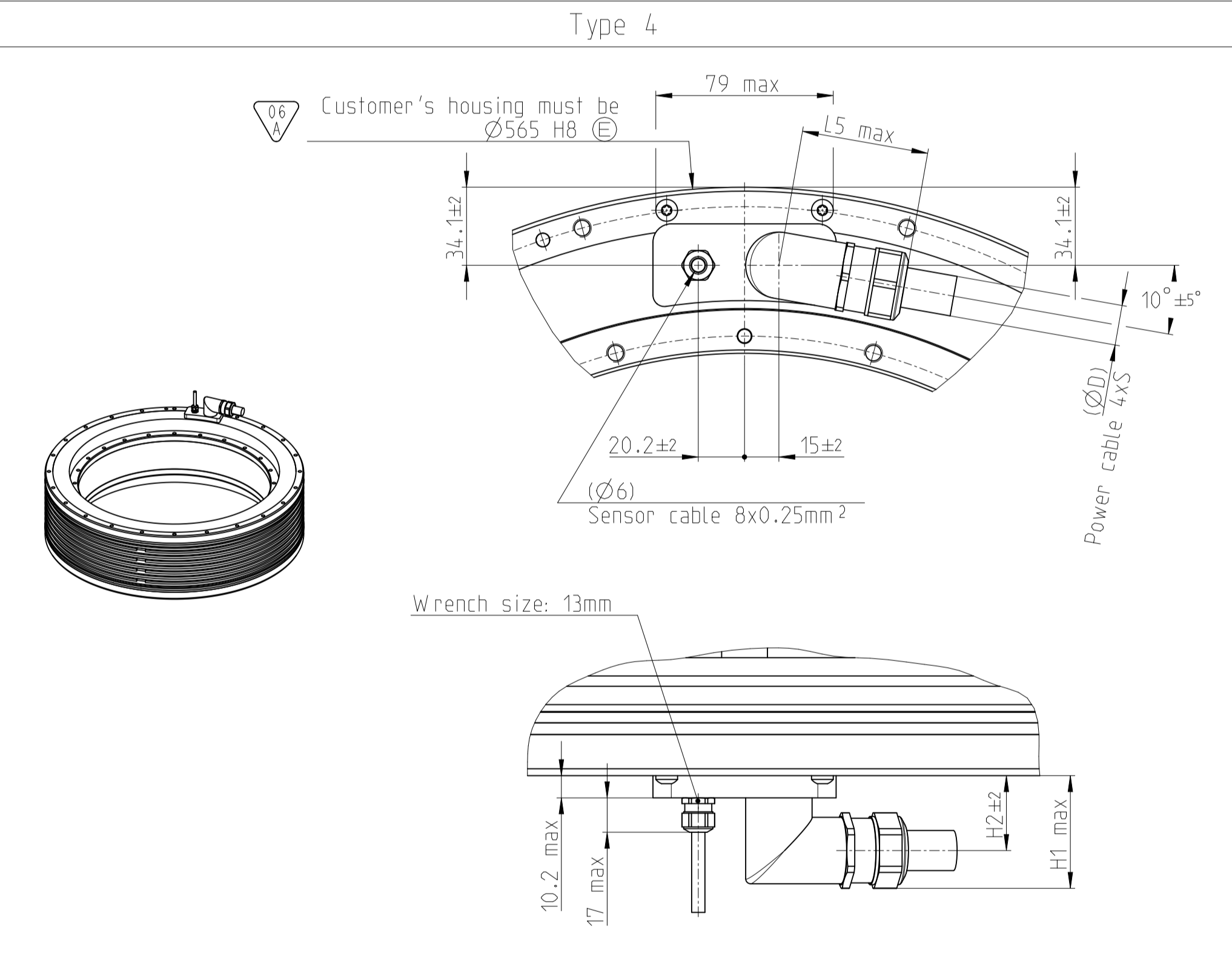
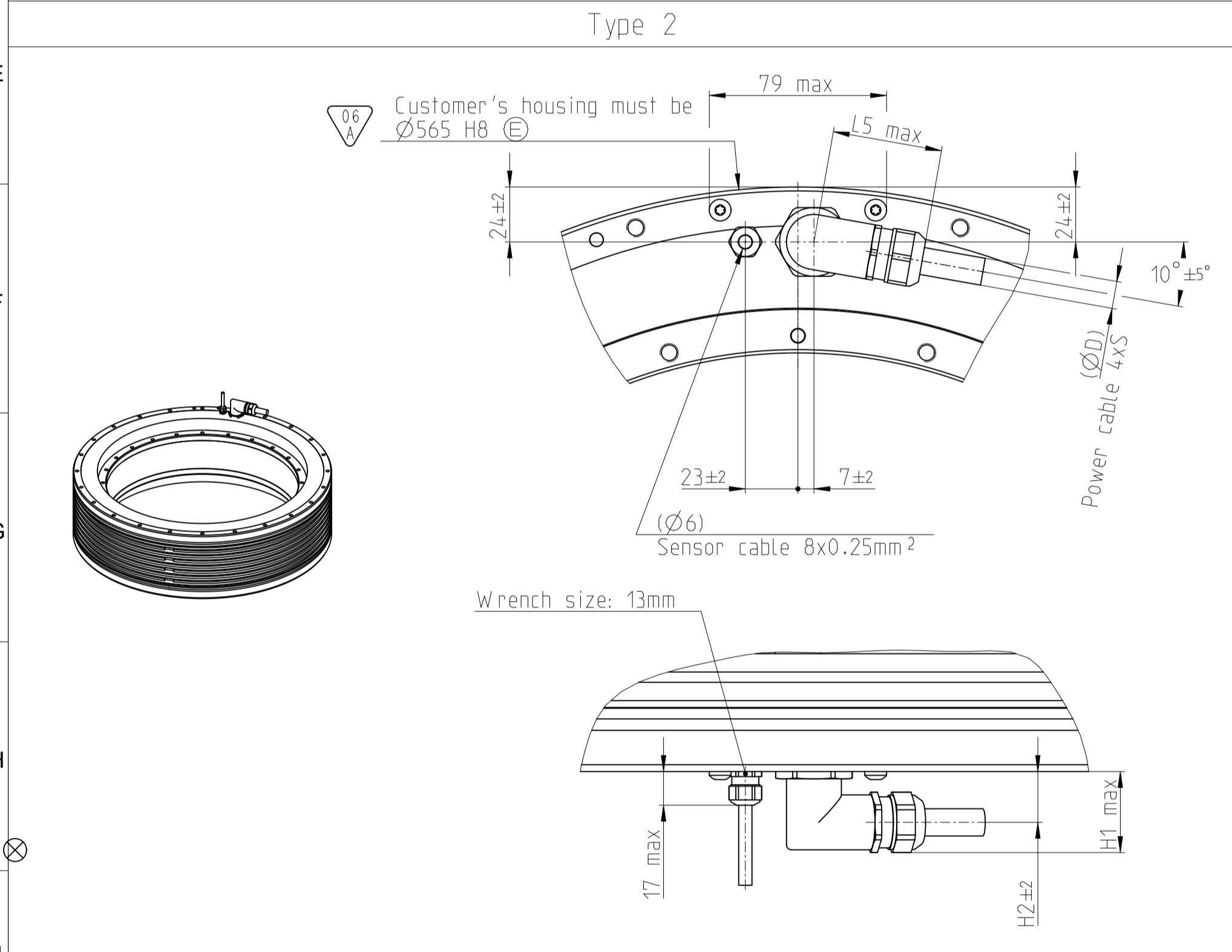
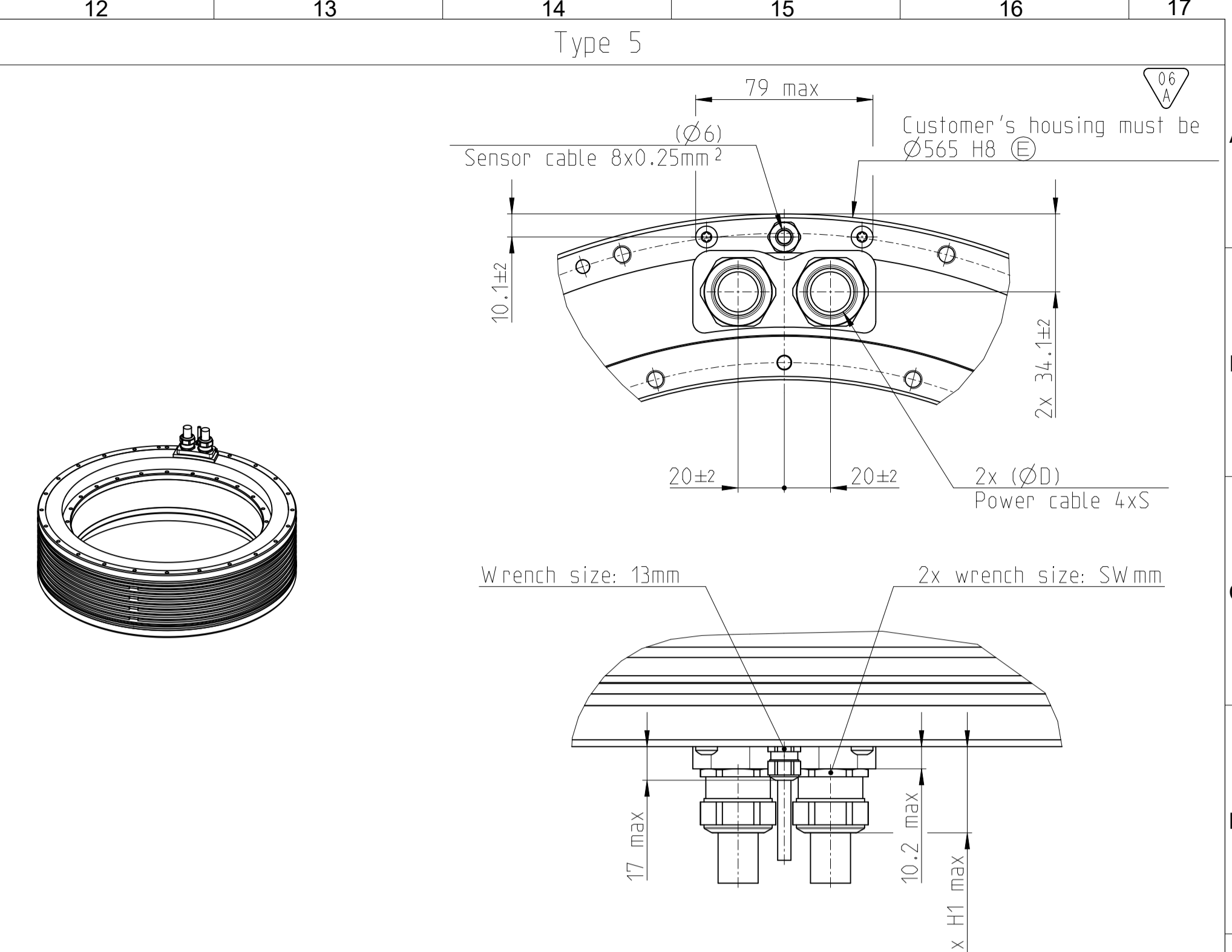
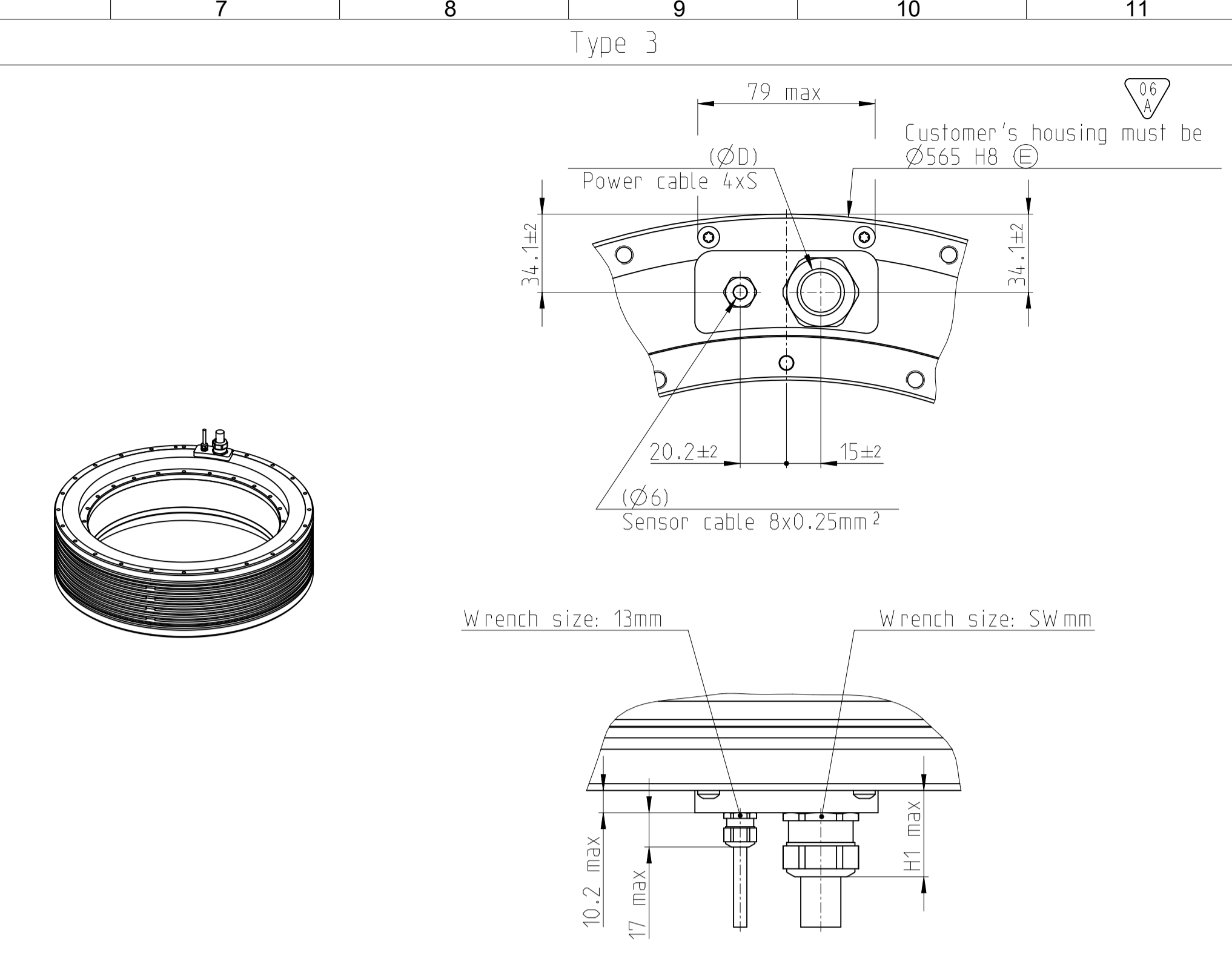
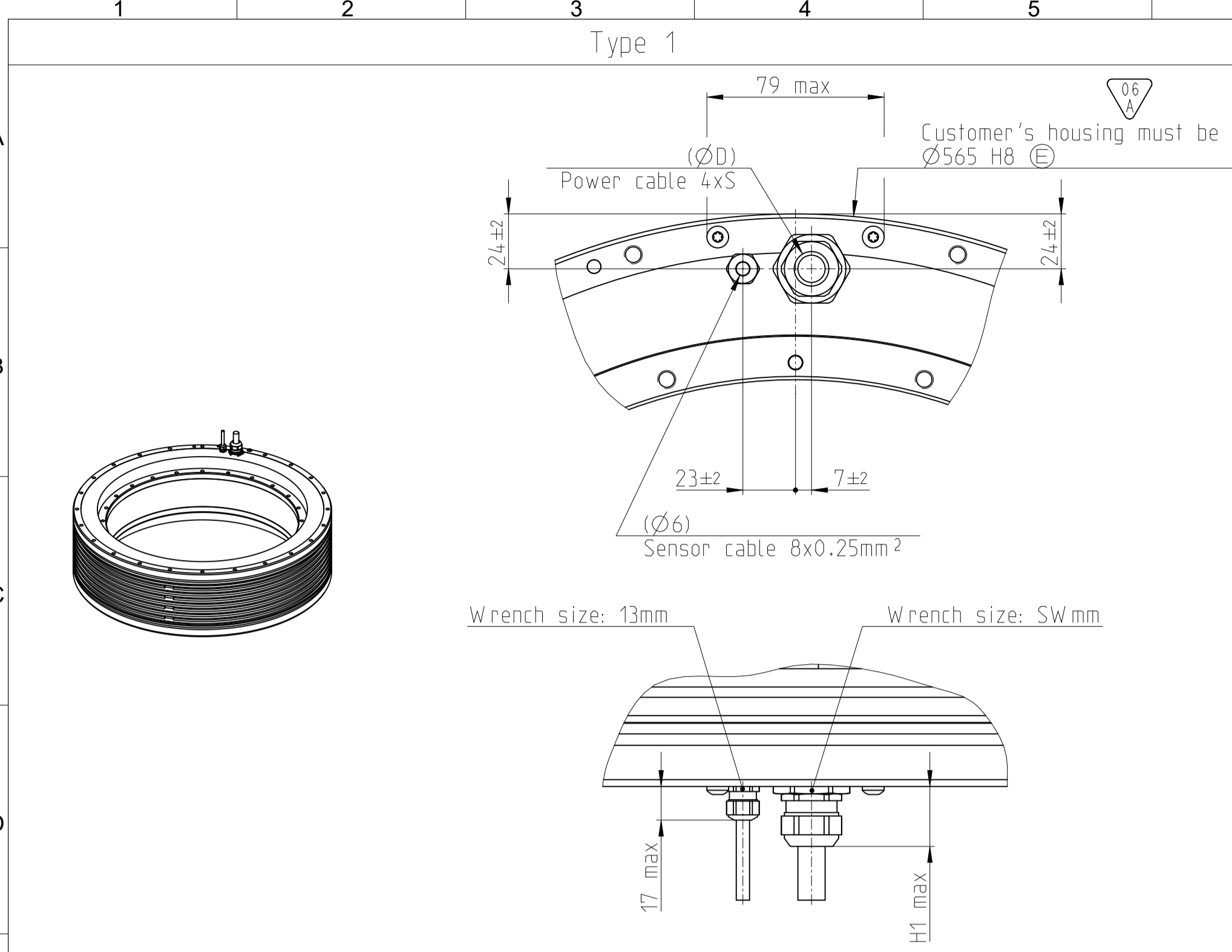


886 200 A1

Designation	L1	L2	L3	N1	N2	$\beta$
TMB+0530-050	110	75	51	12	12	30°
TMB+0530-070	130	95	71	12	12	30°
TMB+0530-100	160	125	101	24	23	15°
TMB+0530-150	210	175	151	24	23	15°
TMB+0530-200	260	225	202	24	23	15°



Text		ID number:
Original drawing	Scale	Change No. C075986-37
1:2	A1	Released: 14.12.2021
<b>TMB+0530-### ##### O#-AA0</b> <b>TMB+0530-### ##### O#-AA0</b> Mating Dimensions / Coles d'encrochement		Tolerances as per ISO 8015 : 2011 Tolérances selon ISO 8015 : 2011 Dimensions without tolerance Dimensions sans tolérances $\pm 0.2$
The reproduction, distribution and utilization of this document as well as the communication of its contents to others without express authorization is prohibited. Offenders will be held liable for the payment of damages. All rights reserved in the event of the grant of a patent, utility model or design. (ISO 18015)		Version   Revision   Sheet   Page ETEL S.A. 2112 Möllers SWITZERLAND <b>1177038-06-A-01</b> Document number 1 of 2

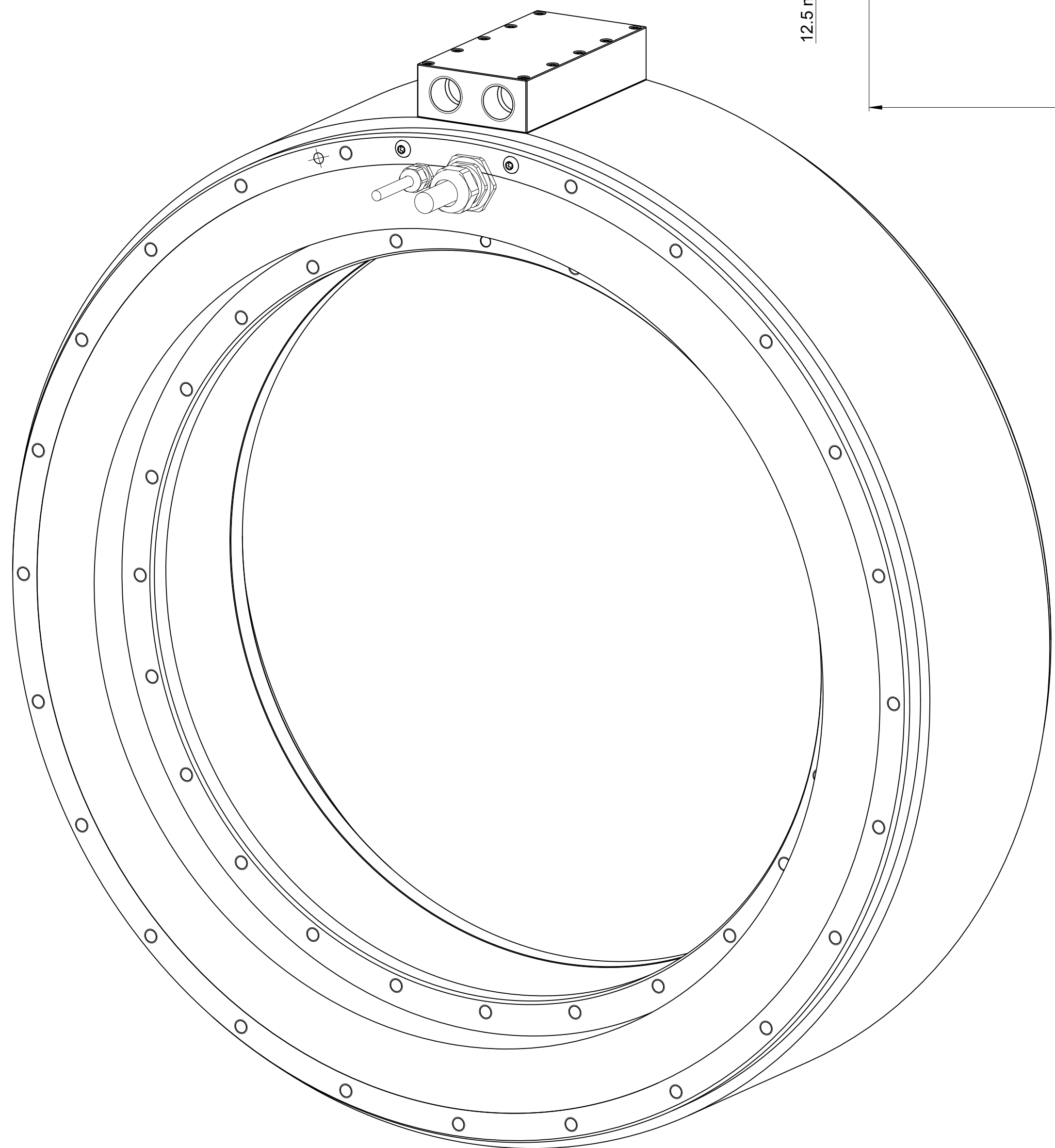
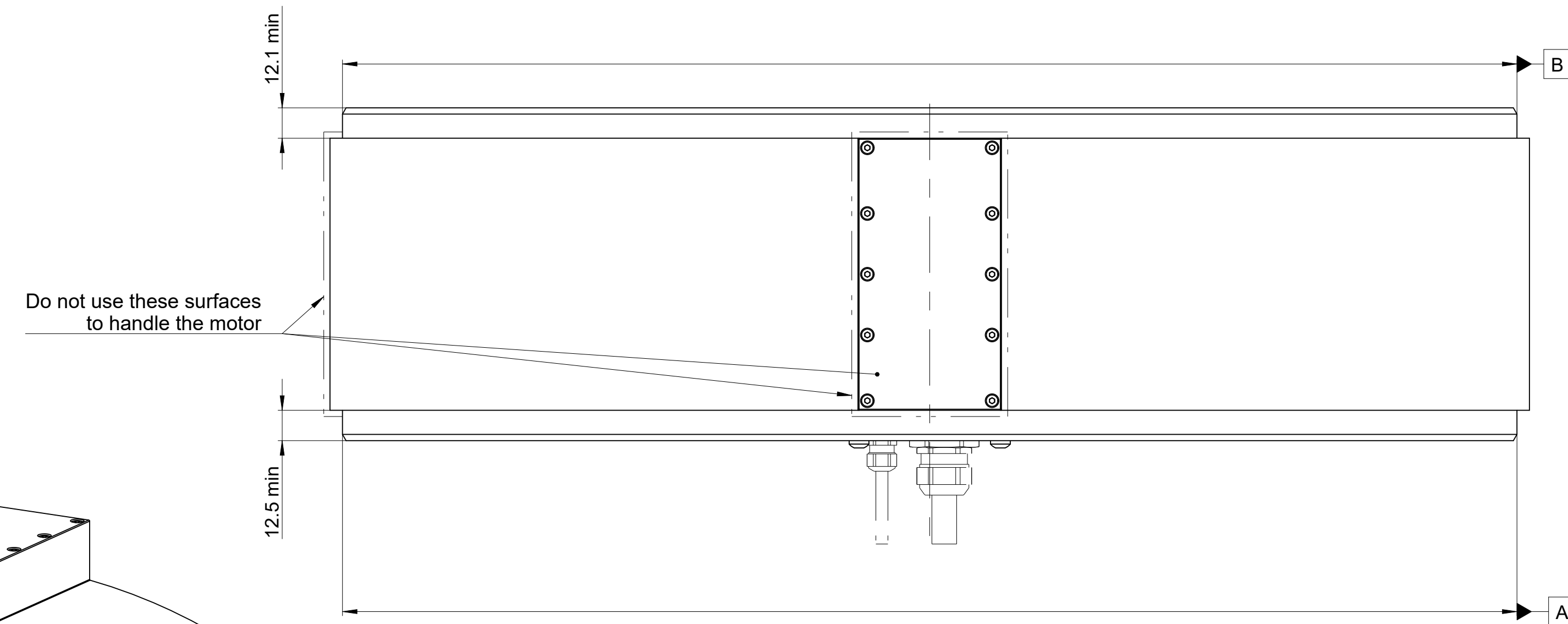
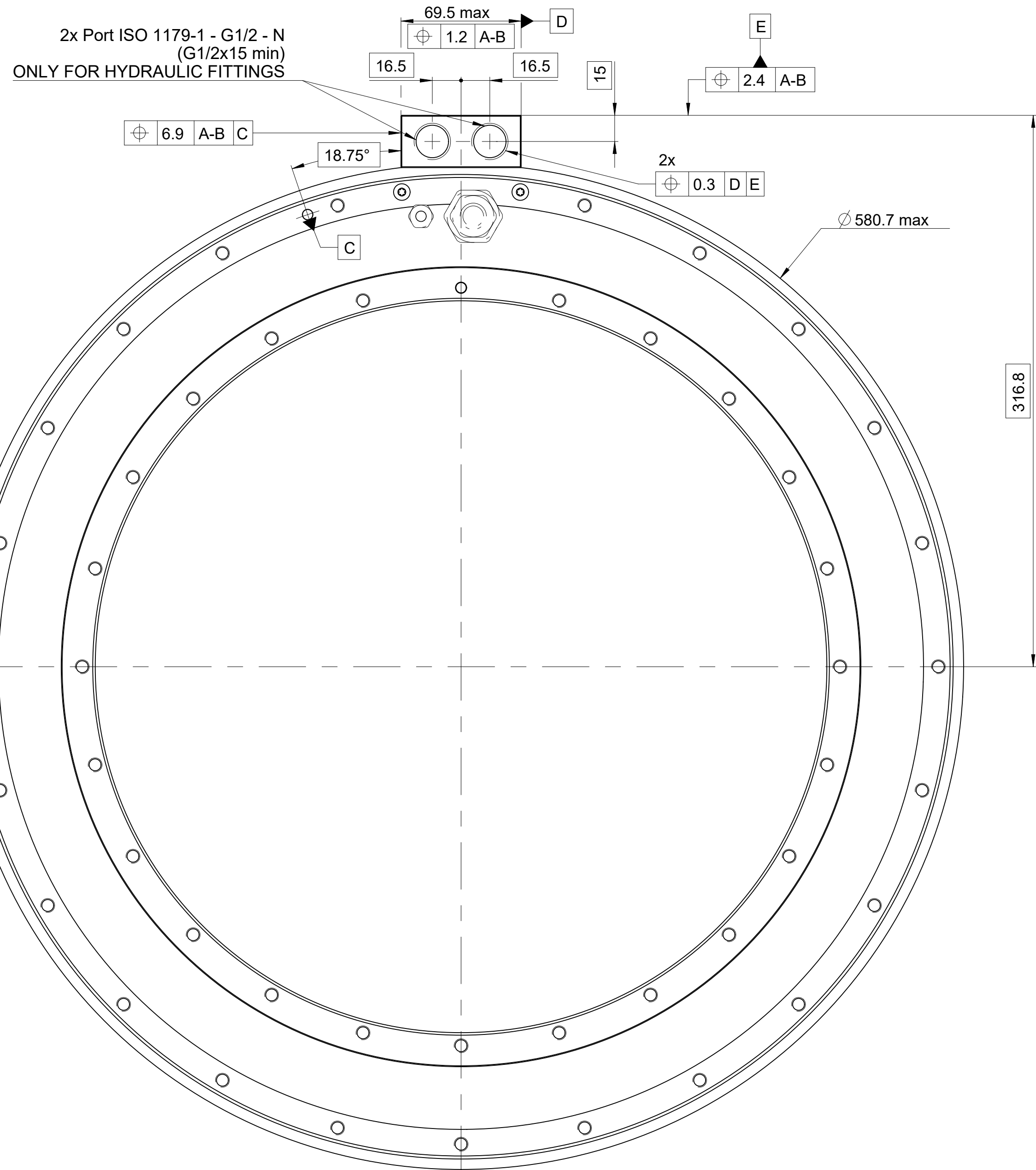


Motor family	0140	0175	0210	0290	0360	0450	0530	0760	0990	1221
Connection	White - Brown	Green - Yellow	Grey - Pink	Phase 1	Phase 3	Phase 2	Phase 3	Phase 2	Phase 1	Phase 3

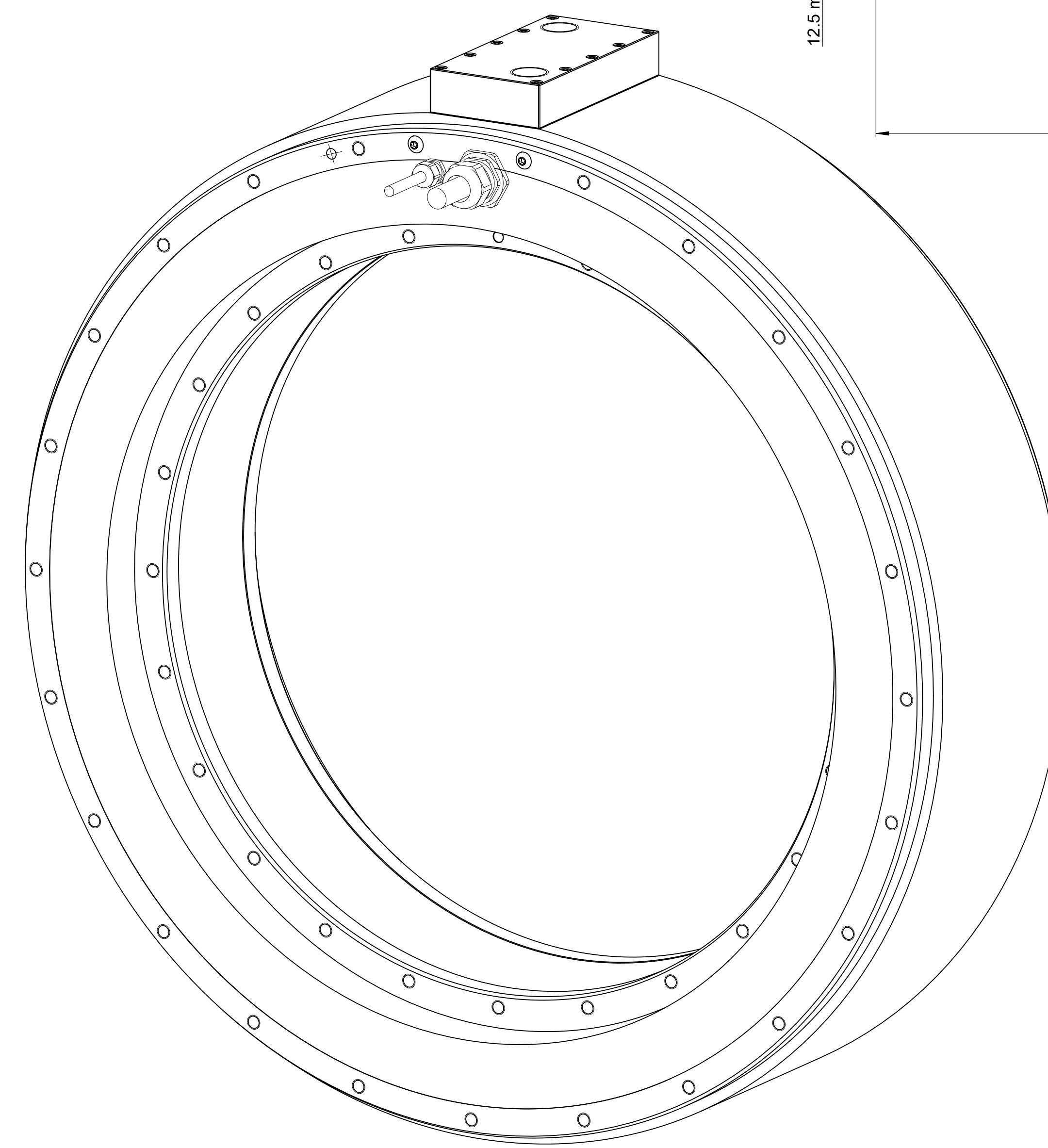
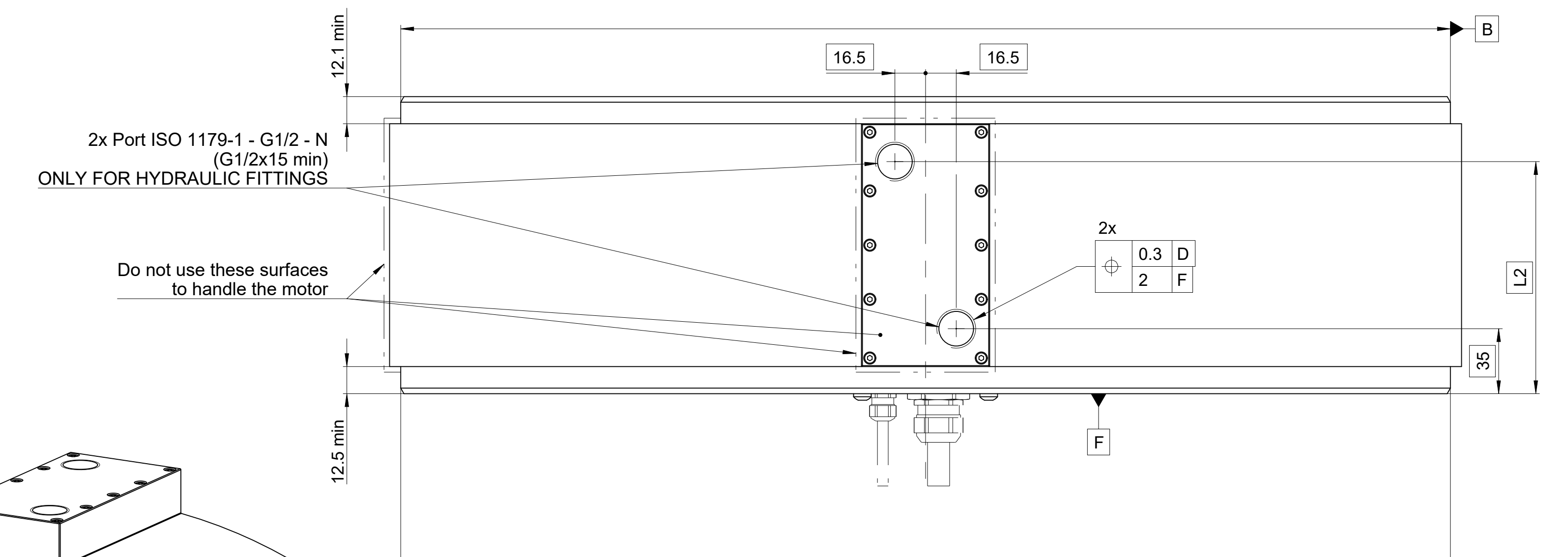
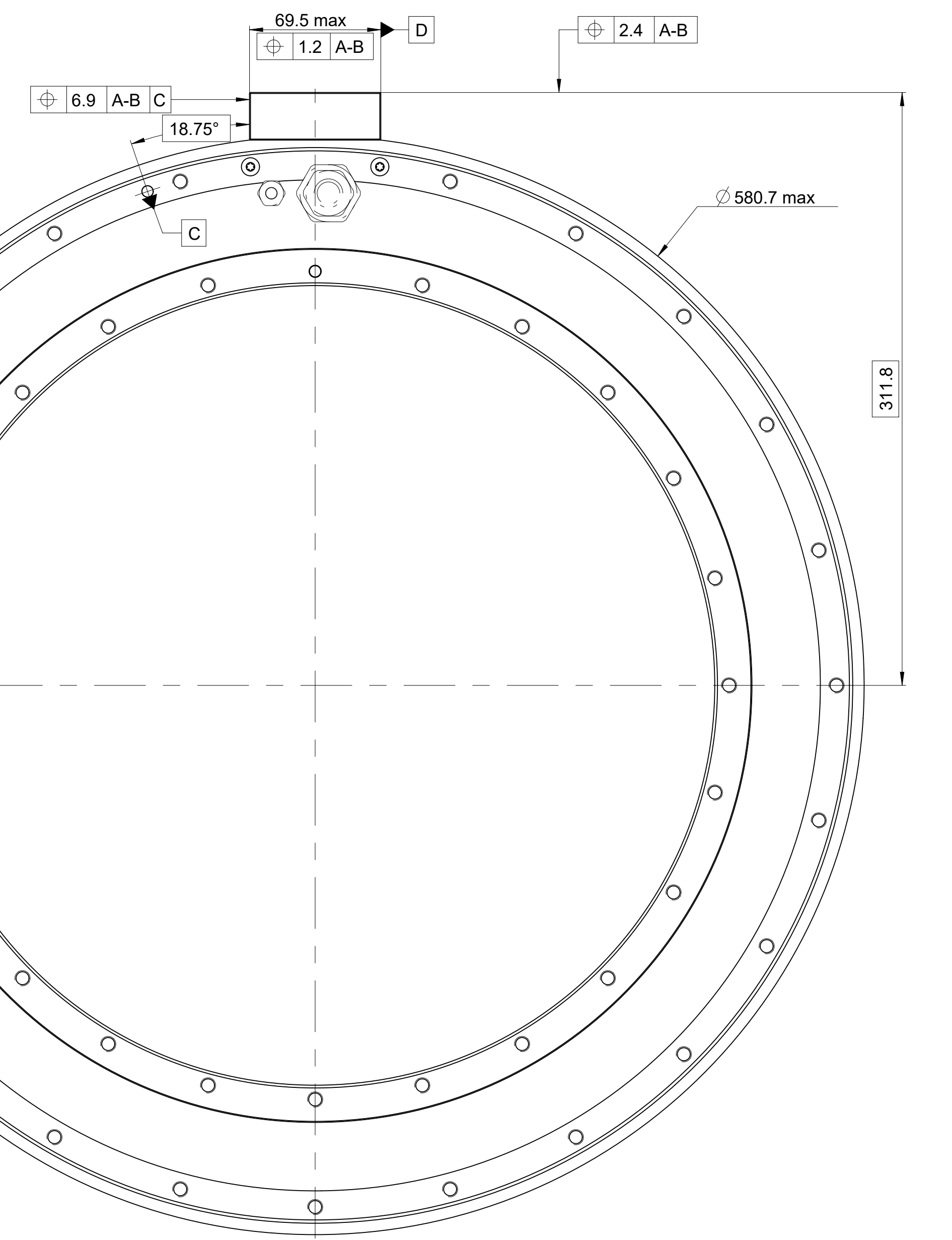
Designation	Output type	S=Wire section (mm²)	L5 (mm)	H1 (mm)	H2 (mm)	D (mm)	SW (mm)	Bending radius (mm)
TMB+0530-###-W A#S#	Type 1	1.5	-	29.9	-	9.1	30	Static bending radius for: - sensor cable = 30 - power cable = 4x ØD
TMB+0530-###-W A#E#	Type 2	1.5	51.5	38.1	22.3	9.1		
TMB+0530-###-W B#S#	Type 1	4	-	31.9	-	11.9		
TMB+0530-###-W B#E#	Type 2	4	53.5	38.1	22.3	11.9		
TMB+0530-###-UD#S#	Type 1	6	-	31.3	-	14.5		
TMB+0530-###-UD#E#	Type 2	6	59	41.8	22.7	14.5		
TMB+0530-###-W D#S#	Type 3	10	-	44	-	17.5		
TMB+0530-###-W D#E#	Type 4	10	62	51.8	32.7	17.5		
TMB+0530-###-W H#S#	Type 5	10	-	44	-	17.5		
TMB+0530-###-W H#E#	Type 6	10	-	-	-	17.5		

Text:		ID number:	C075986-37
Original drawing	Scale	Change No.	14.12.2021
Released:	Format	Released:	14.12.2021
Dimensions in mm	1:2 A1	Tolerances as per ISO 8015 : 2011	Tolerances selon ISO 8015 : 2011
TMB+0530-###-####-O#-AA0		TMB+0530-###-####-O#-AA0	
Mating Dimensions / Coles d'encastrement		Mating Dimensions / Coles d'encastrement	
The reproduction, distribution and utilization of this document as well as the communication of its contents to others without express authorization is prohibited. Offenders will be held liable for the payment of damages. All rights reserved in the event of the grant of a patent, utility model or design. (ISO 18015)		Dimensions without tolerance Dimensions sans tolérances ± 0.2	
<b>ETEL</b> ETEL S.A. 2112 Möllers SWITZERLAND		Version   Revision   Sheet   Page 1177038-06-A-01 2 of 2	

TMB+0530-###-#####-A#-AA0  
 (Annex to interface drawing 1177038: please check for motor and cable output information)



TMB+0530-###-#####-R#-AA0  
 (Annex to interface drawing 1177038: please check for motor and cable output information)



Designation	L2
TMB+0530-050	75
TMB+0530-070	95
TMB+0530-100	125
TMB+0530-150	175
TMB+0530-200	225