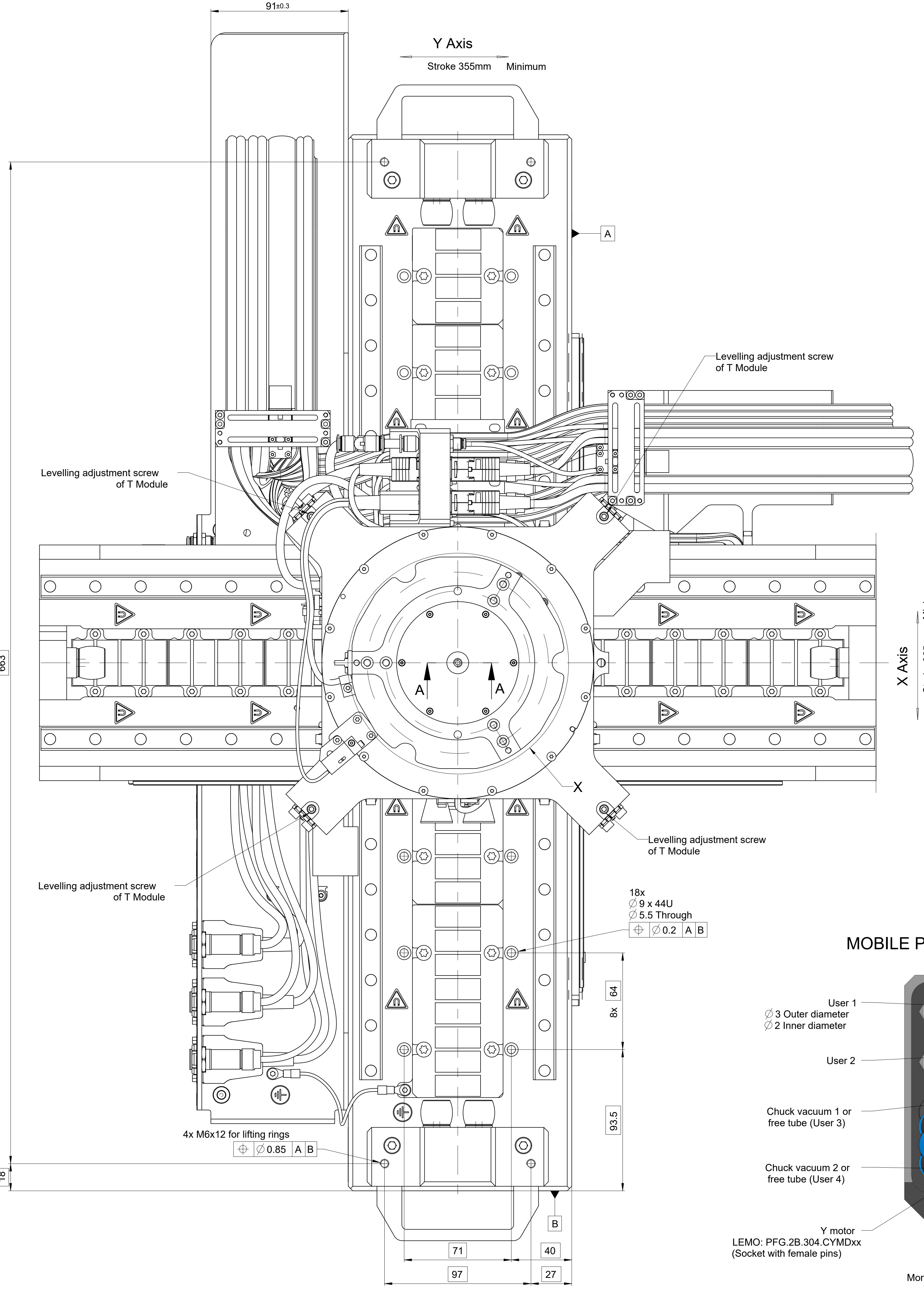
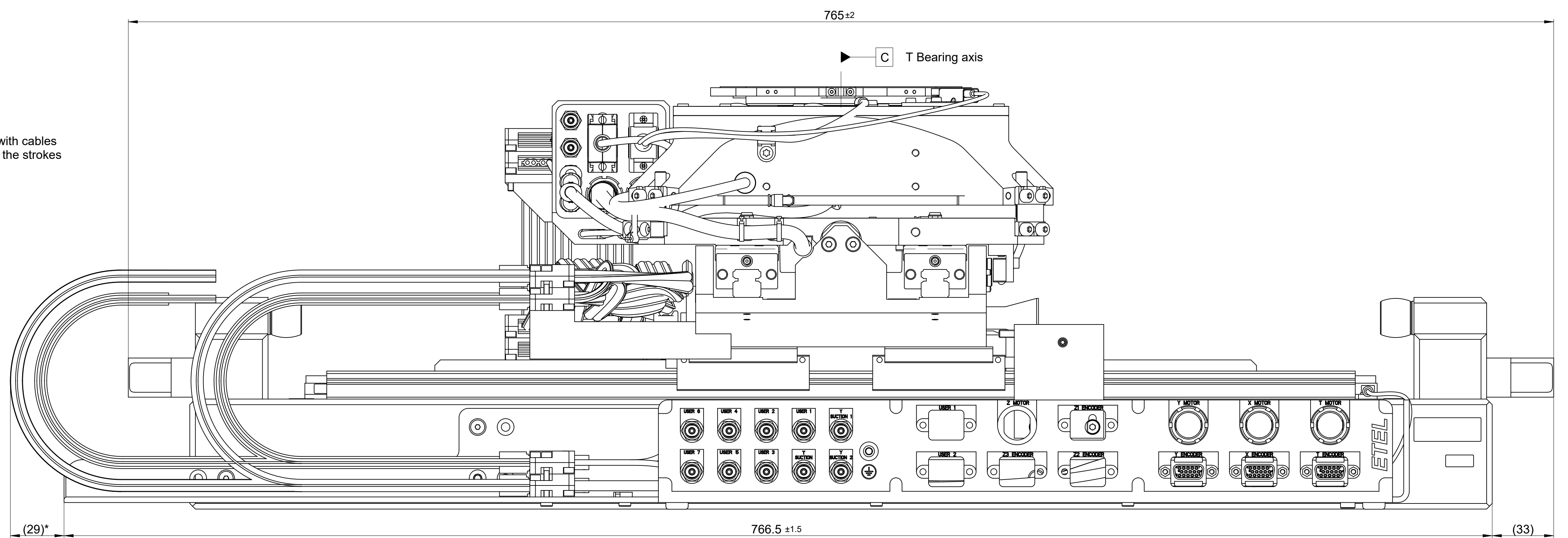
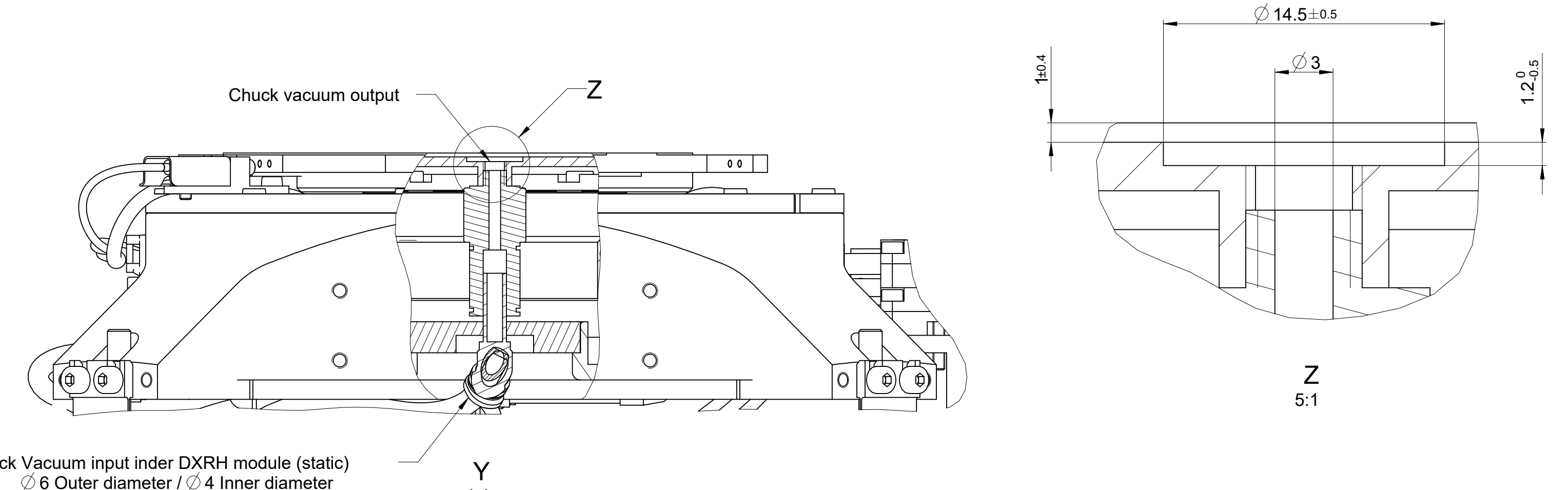
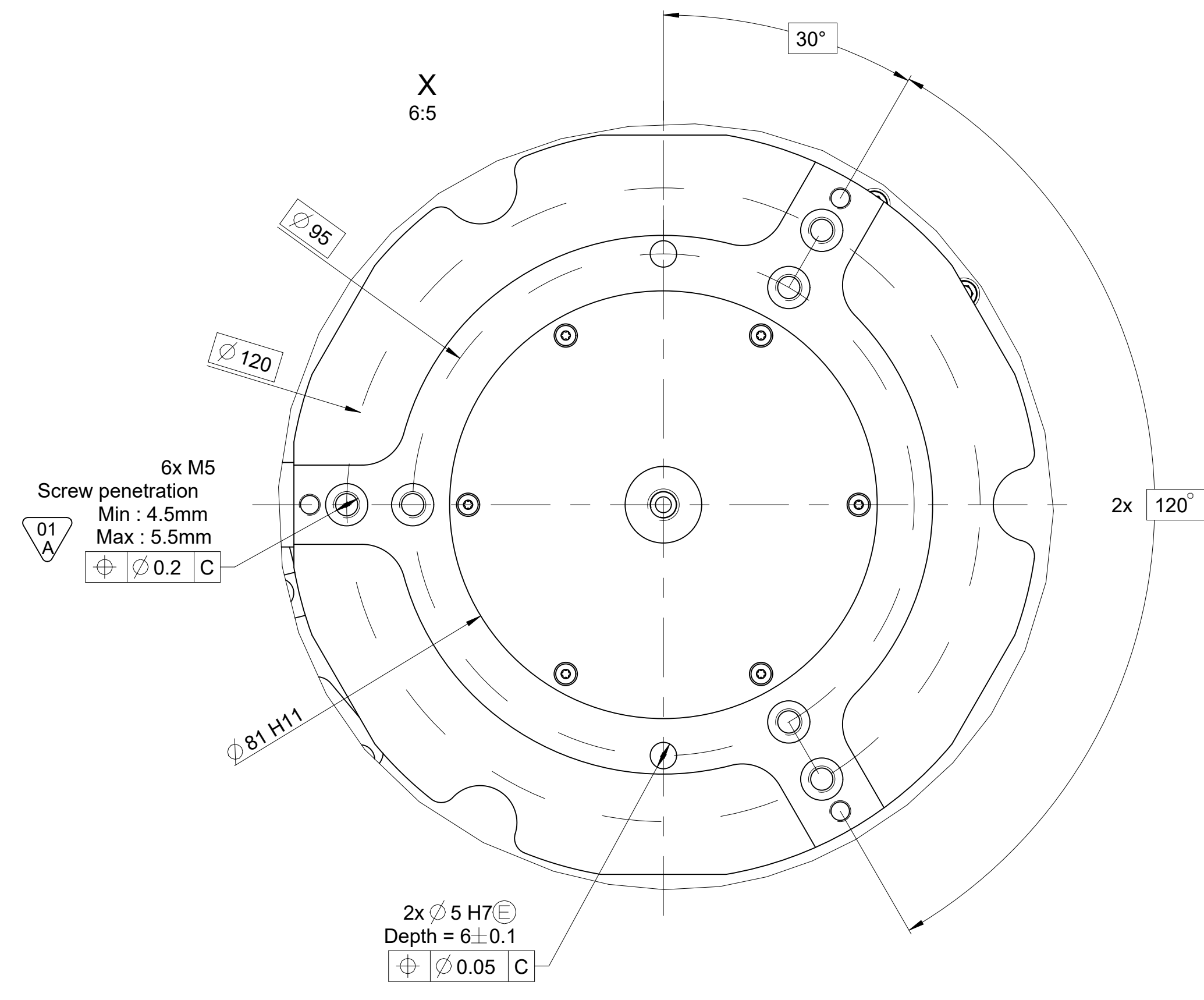
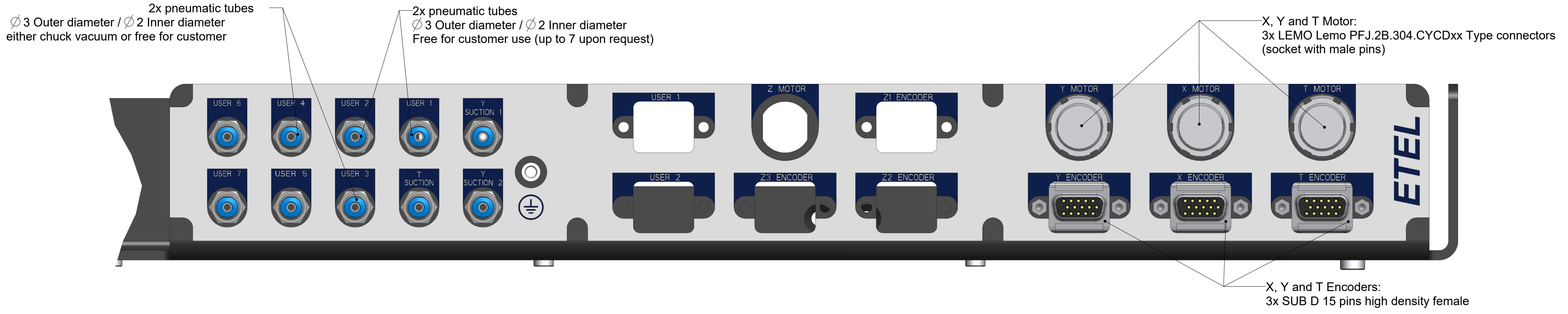


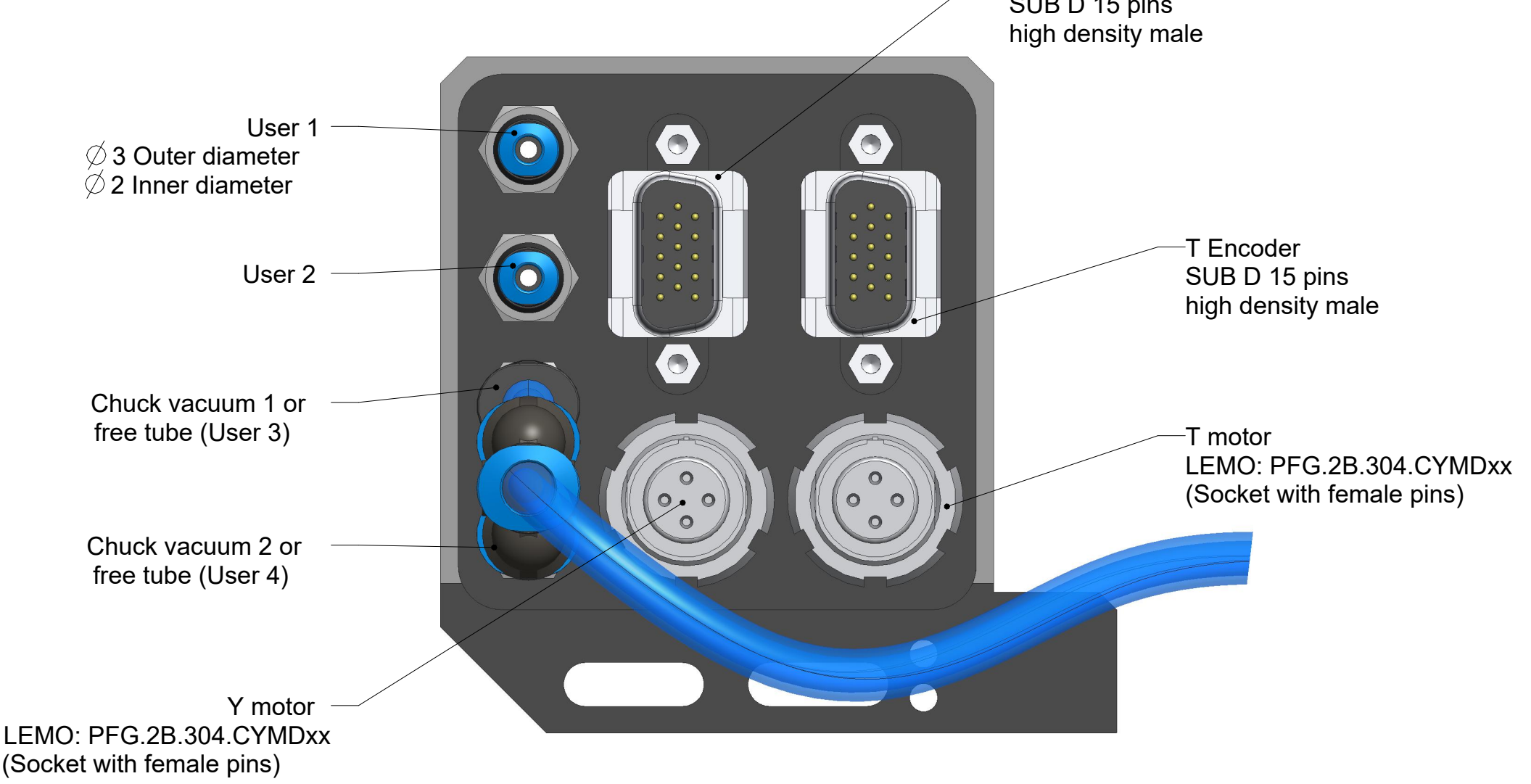
*Dimension with cables at the end of the strokes



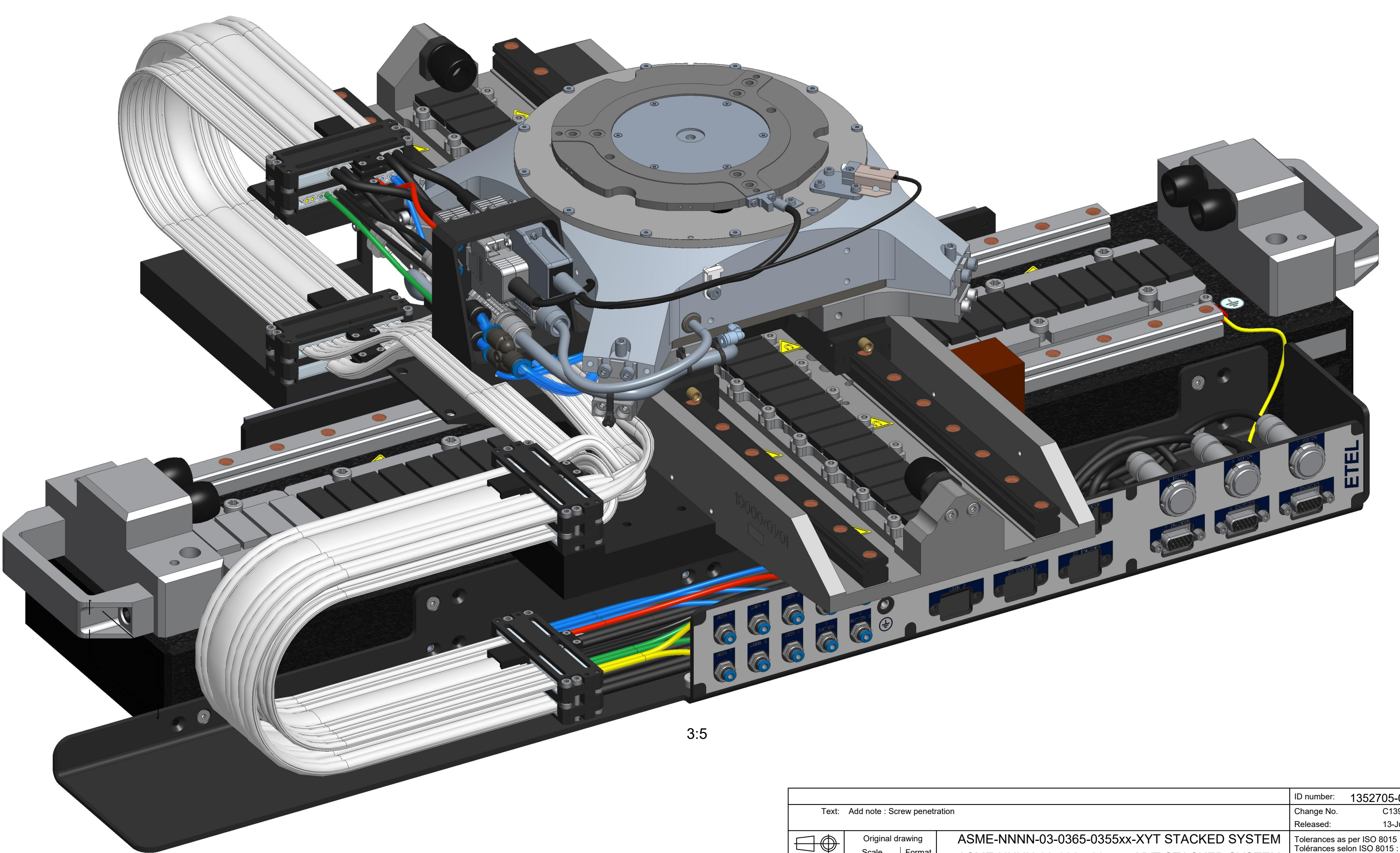
FRONT PANEL [6:5]



MOBILE PANEL [8:5]



More information about User 5 to User 7 tubes upon request



It is required to mount Charon 2 Stages on a granite or equivalent flat surface with a flatness inferior or equal to 3 microns

Text	Add note	Screw penetration	ID number	1352705-01
Original drawing	ASME-NNNN-03-0365-0355xx-XYT STACKED SYSTEM		Change No.	C13549153
Scale	1:1 format		Released	13-Jun-22
Dimensions in	7:10	A0	Tolerances as per ISO 8015: 2011	
			Tolerances series ISO 8015: 2011	
			Dimensions without tolerance	±0.2
			Dimensions series tolerance	
The reproduction, distribution and utilization of this document as well as the communication of its contents to others without express authorization is prohibited. Offenders will be held liable for the payment of damages. All rights reserved in the event of the grant of a patent, utility model or design. (ISO 15076)				
ETEL S.A. 2112 Môtier SWITZERLAND			1349526-01 - A-01	