

### Encoder Connector Pinning

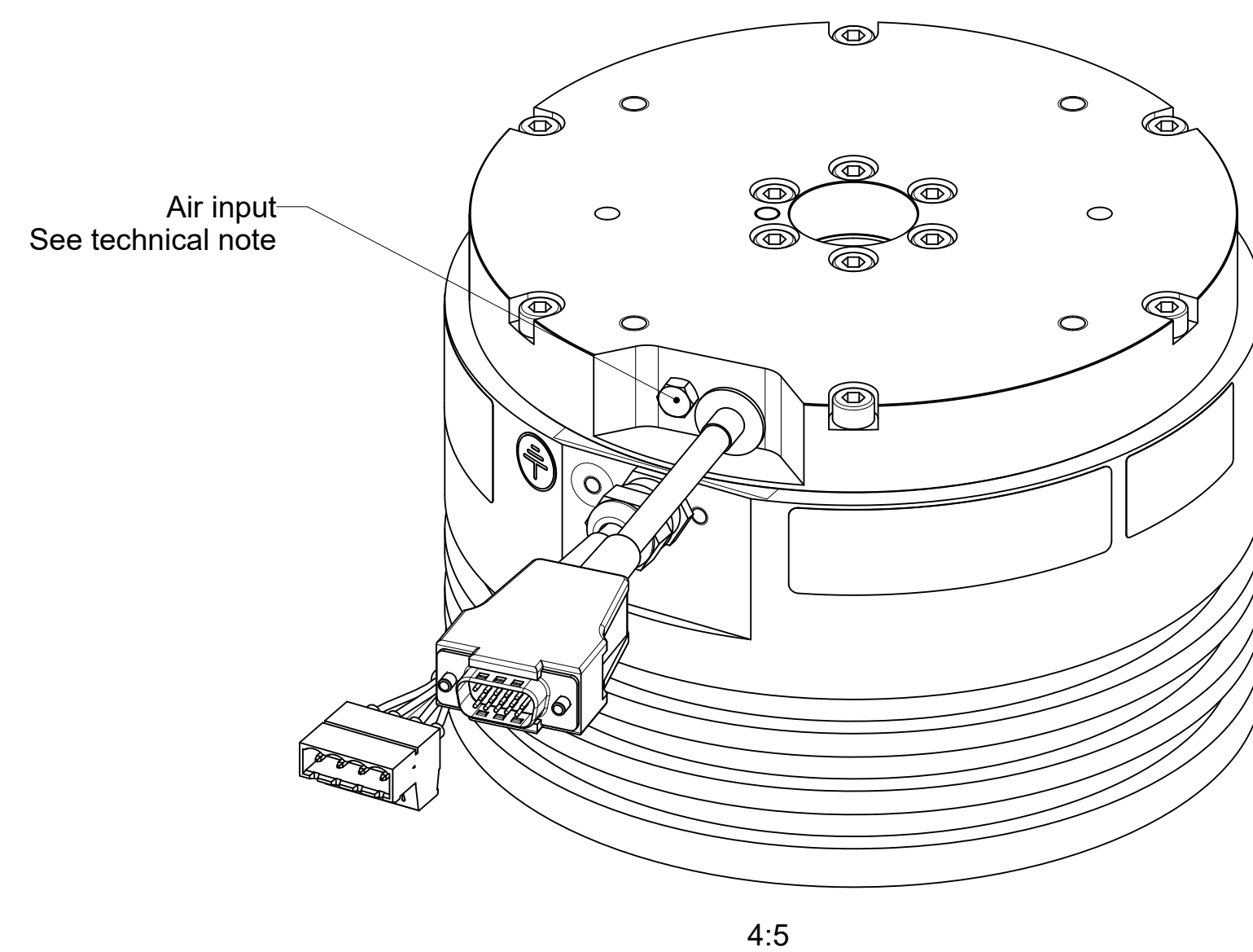
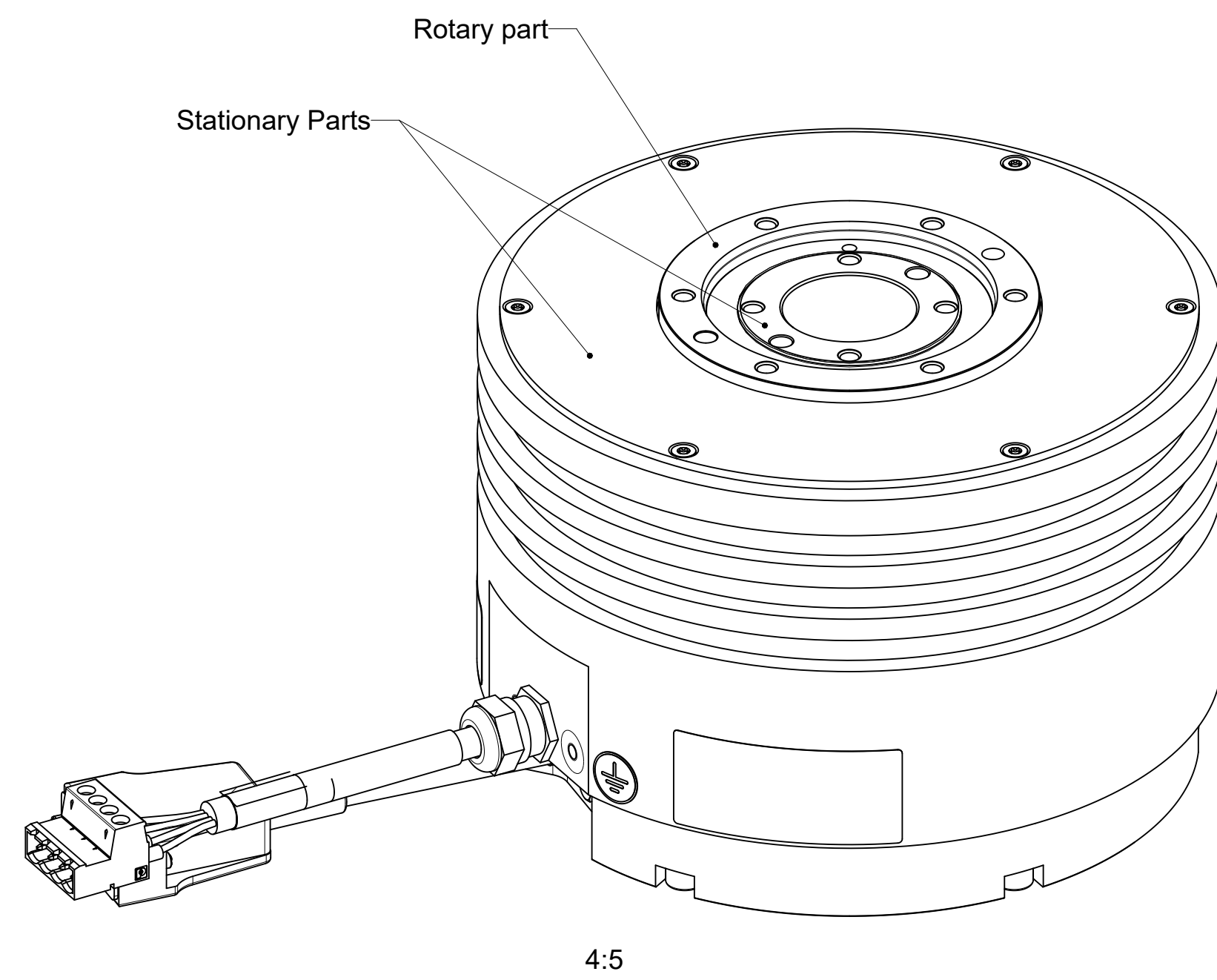
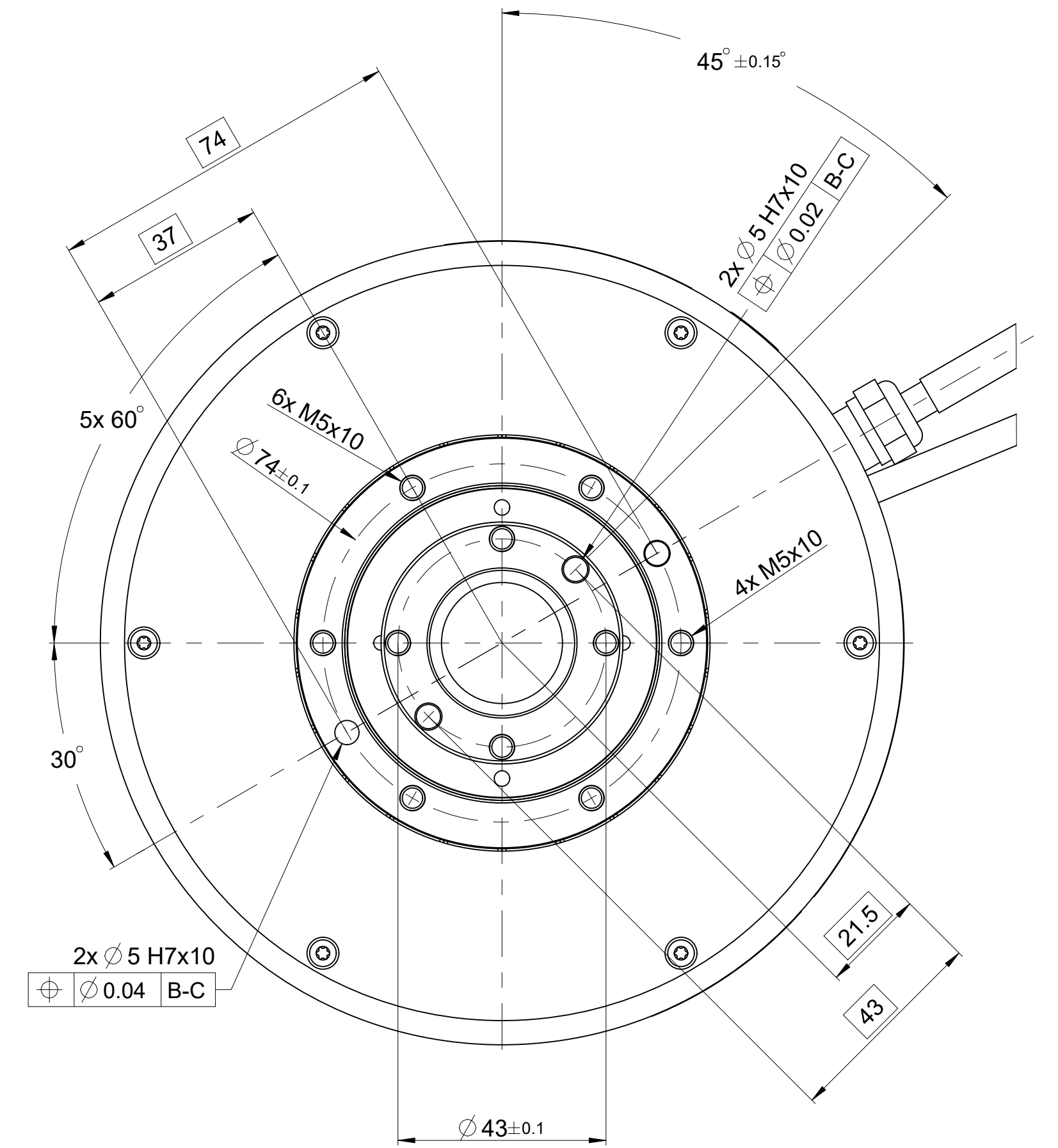
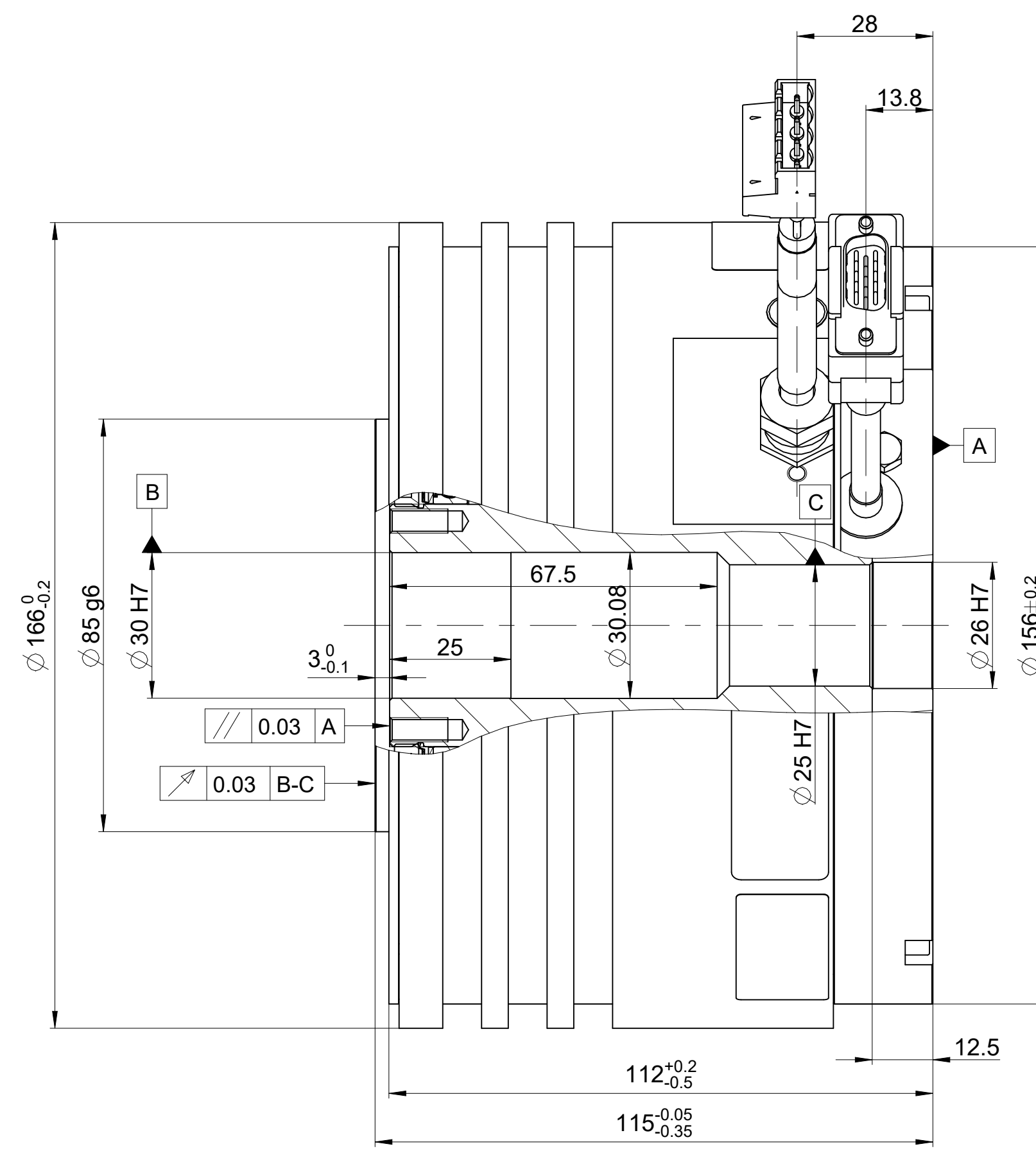
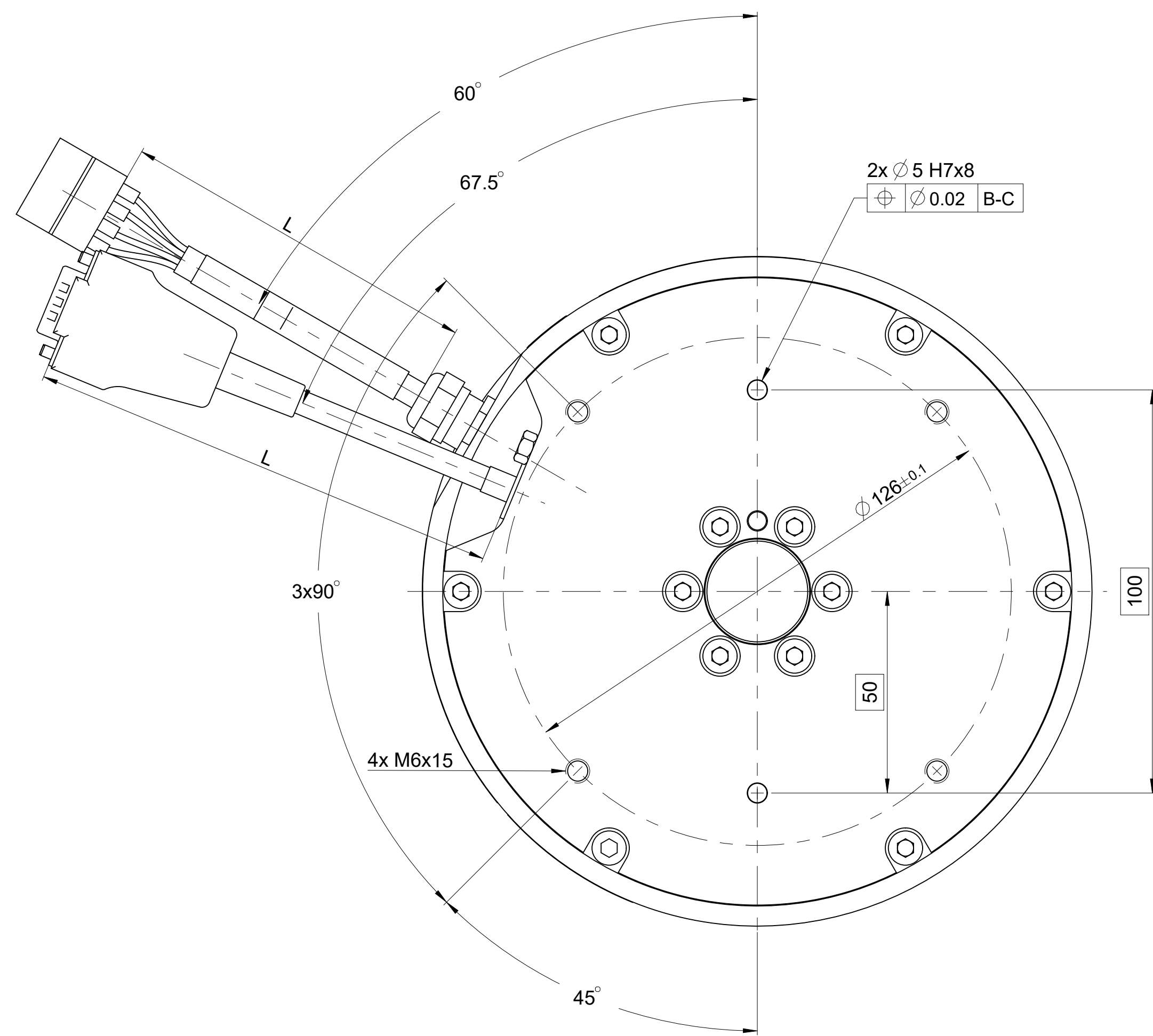
Pin	Function
4	+5V
5, 12	GND
6	COS-
7	SIN-
8	IDX-
13	COS+
14	SIN+
15	IDX+
1, 2, 3, 9, 10, 11	Not Connected

### Motor cable pinning

Wire	Function
Wire 3	Motor Phase 3
Wire 2	Motor phase 2
Wire 1	Motor phase 1
Gr-Ye	Protective Earth

Variant	Part n°	Winding	L	Tol.
ASME-RTMBi1400503RAS0000	1235111-01	3RAS	5000	±100
ASME-RTMBi1400503RBS0000	1235111-02	3RBS	5000	±100

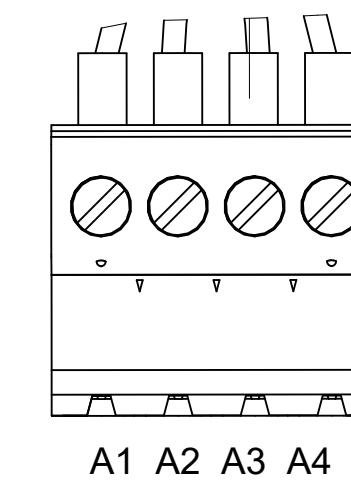
1235111-01		ID number
Text:		Change No. C142285-10 Released: 09.05.2022
Original drawing Scale 1:1 Format A1	ASME-RTMBi1400503**S0000 - Interface	
RoHS	ASME-RTMBi1400503**S0000 - Interface	
Dimensions in mm / Cotes en mm		Mating Dimensions / Cotes d'encombrement
Workpiece edges ISO 13715 Arêtes de formes selon ISO 13715	General tolerances ISO 2768-mK Tolérances générales ISO 2768-mK	Surfaces as per ISO 1302 Etats de surface selon ISO 1302
-0.1 L±0.3	+0.3 L±0.0	Surface treatment: Traitement de surface:
Tolerances as per ISO 8015 : 2011 Tolérances selon ISO 8015 : 2011		
The reproduction, distribution and utilization of this document as well as the communication of its contents to others without express authorization is prohibited. Offenders will be held liable for the payment of damages. All rights reserved in the event of the grant of a patent, utility model or design. (ISO 18015)		
ETEL S.A. 2112 Möhlers SWITZERLAND		Version/Revision/Sheet Page 1271711-01-A-01 1 of 1



**Encoder Connector Pinning**

Pin	Function
4	+5V
5, 12	GND
6	COS-
7	SIN-
8	IDX-
13	COS+
14	SIN+
15	IDX+
1, 2, 3, 9, 10, 11	Not Connected

**300V Connector Pinning**



Pin	Wire	Function
A1	Wire 3	Motor Phase 3
A2	Wire 2	Motor phase 2
A3	Wire 1	Motor phase 1
A4	Gr-Ye	Protective Earth

Variant	Part n°	Winding	L	Tol.
ASME-RTMBi1400503RAS0000	1196271-01	3RAS	5000	±100
ASME-RTMBi1400503RBS0000	1196271-02	3RBS	5000	±100

1196271-00 ID number

Change No. C142285-15  
Released: 09.05.2022

Material: Matière:

Original drawing Scale Format  
RoHS 1:1 A1

ASME-RTMBi1400503\*\*S0000 - Interface  
ASME-RTMBi1400503\*\*S0000 - Interface

Dimensions in mm / Cotes en mm Mating Dimensions / Cotes d'encombrement

Workpiece edges ISO 13715  
Arêtes de formes selon ISO 13715

General tolerances ISO 2768-mK  
Tolérances générales ISO 2768-mK

Surfaces as per ISO 1302  
Etats de surface selon ISO 1302

Tolerances as per ISO 8015: 2011  
Tolérances selon ISO 8015: 2011

Surface treatment:  
Traitement de surface:

The reproduction, distribution and utilization of this document as well as the communication of its contents to others without express authorization is prohibited. Offenders will be held liable for the payment of damages. All rights reserved in the event of the grant of a patent, utility model or design. (ISO 18015)

ETEL ETEL S.A.  
2112 Möhlers  
SWITZERLAND

Version/Revision/Sheet Page  
1196503-01 - A-01 1 of 1

Document number