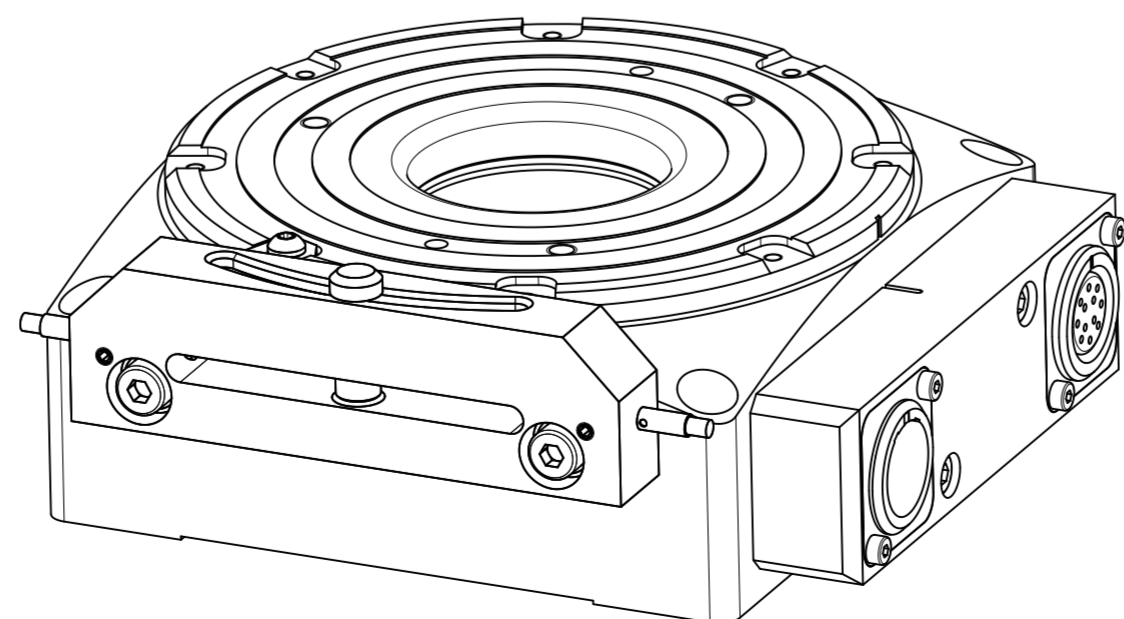
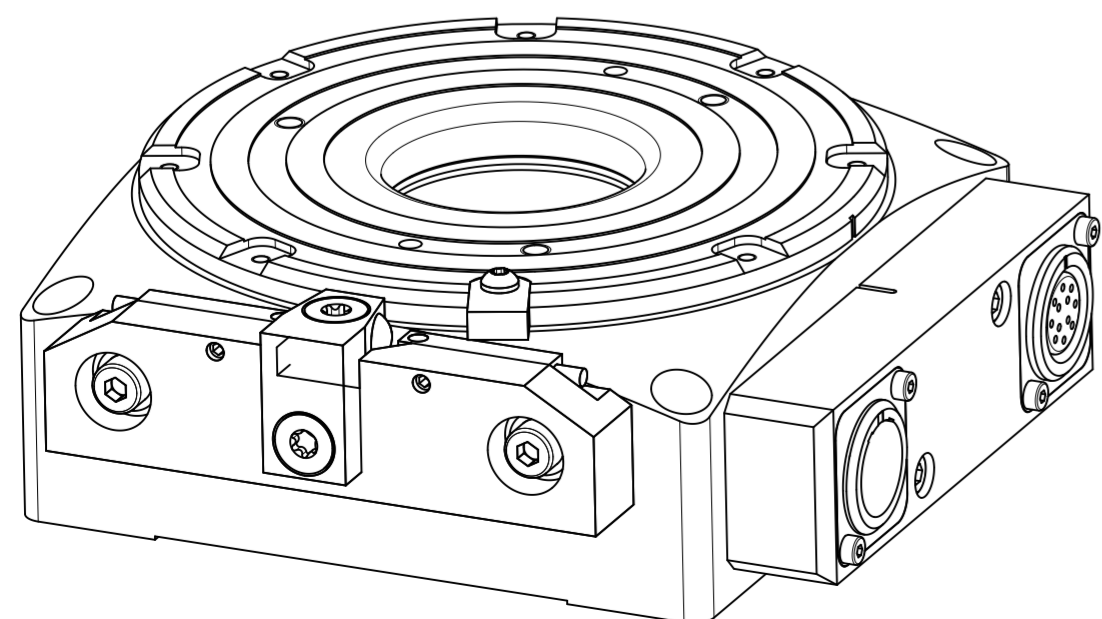
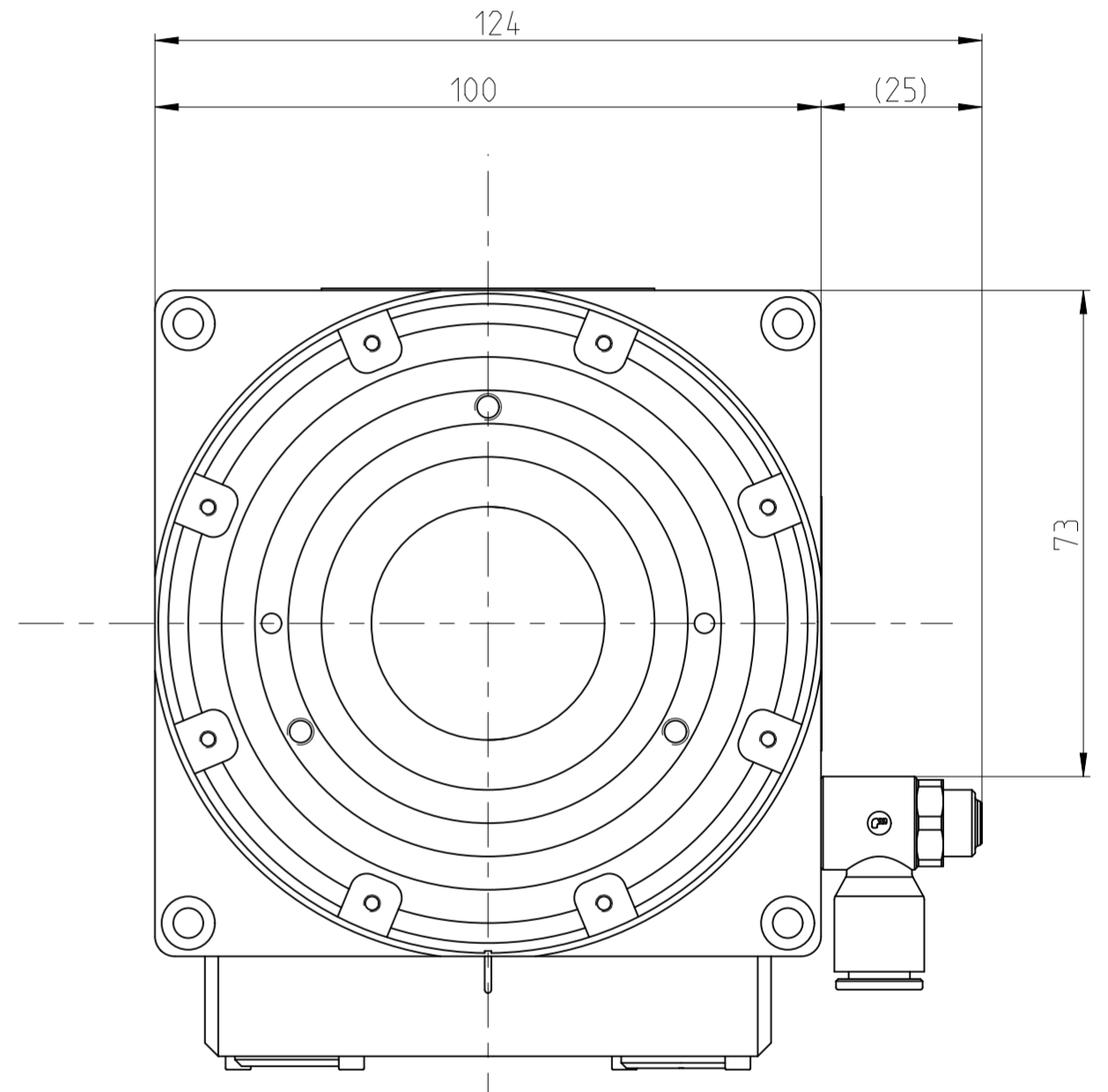
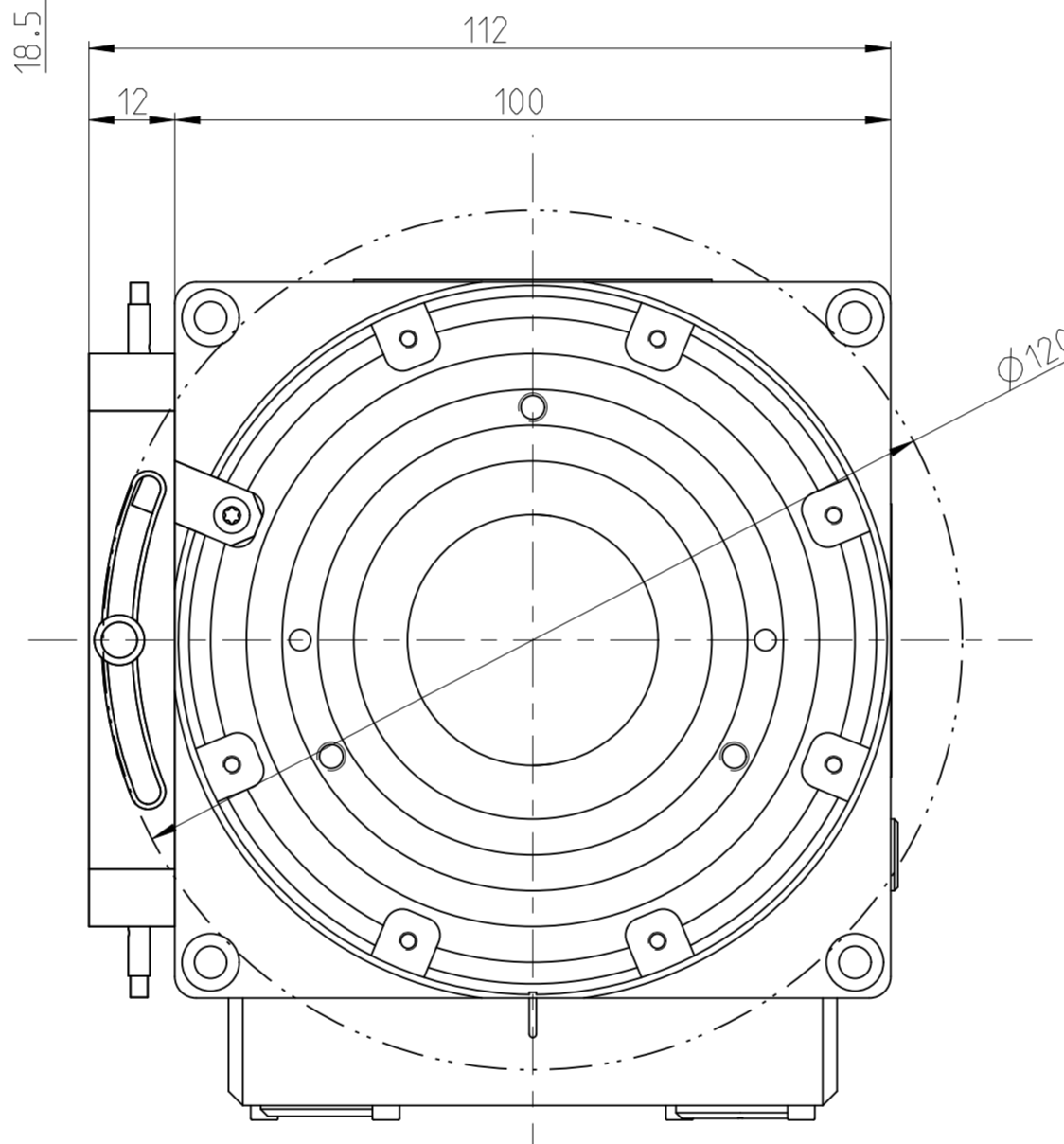
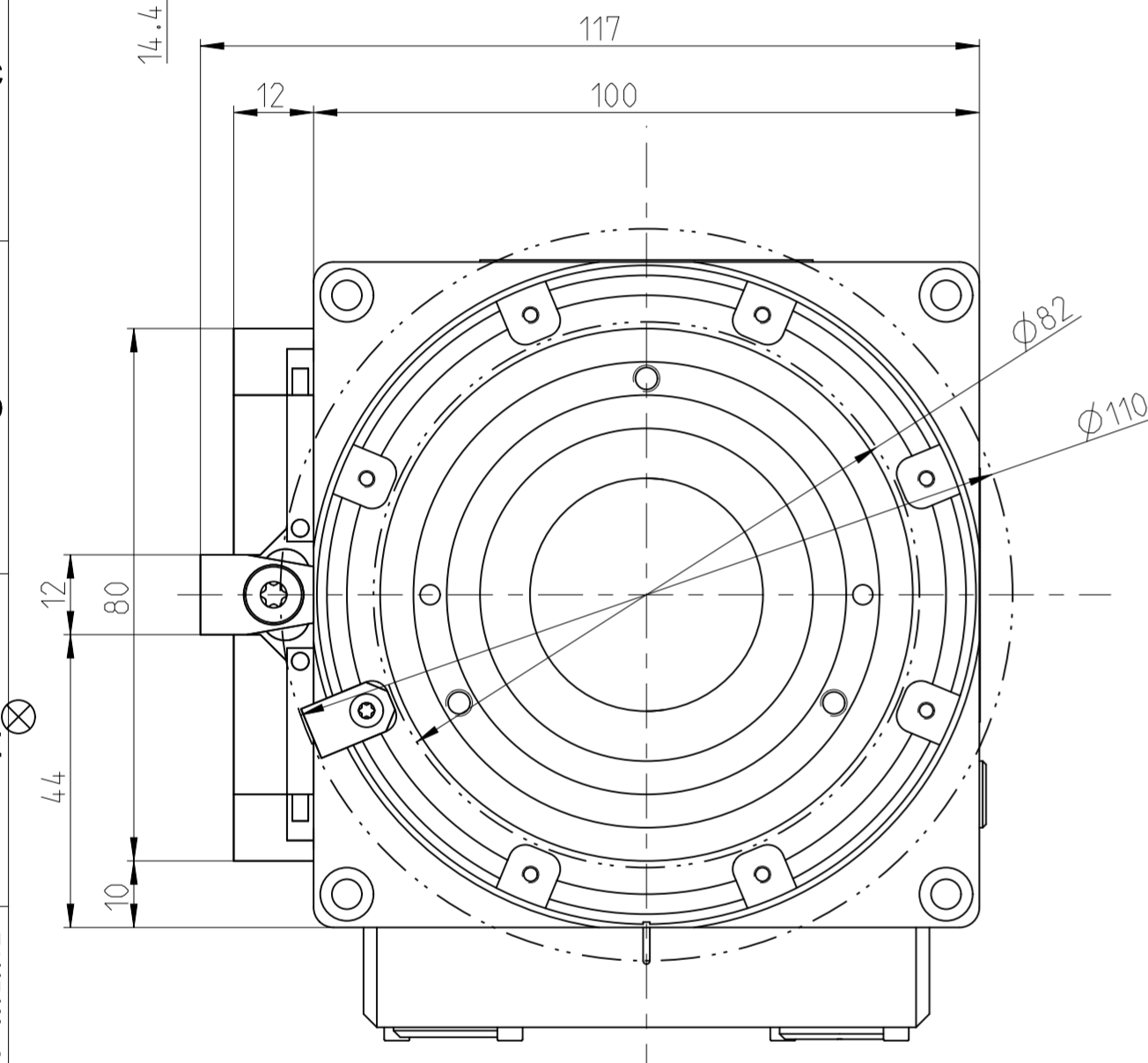
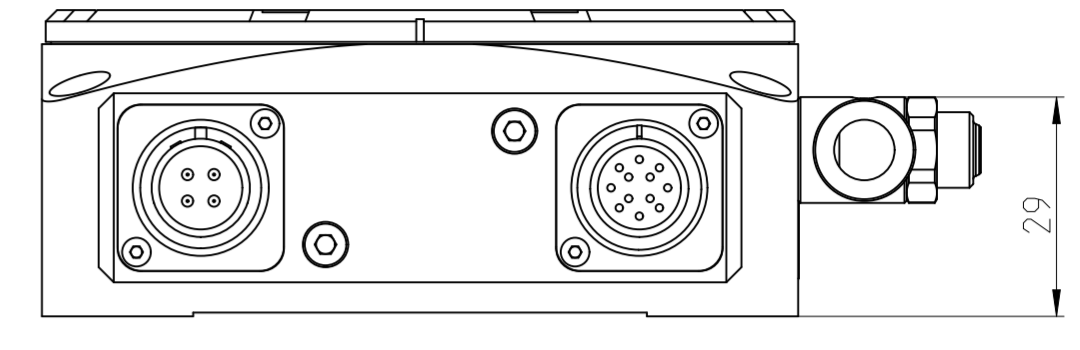
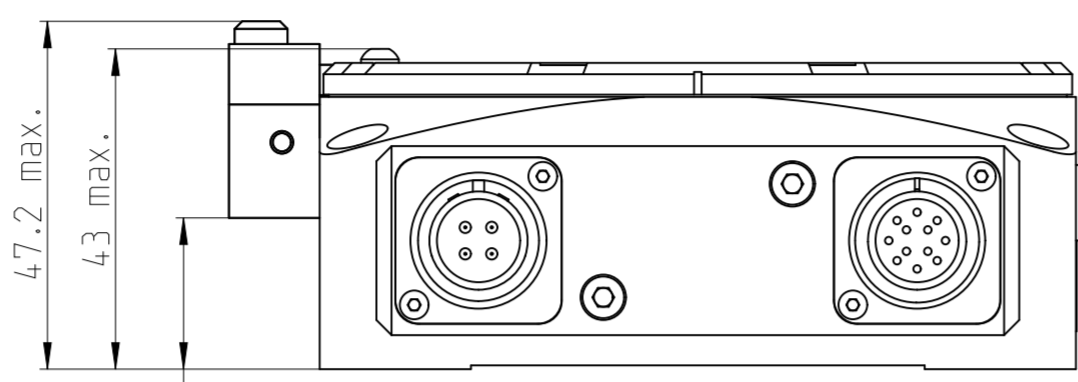
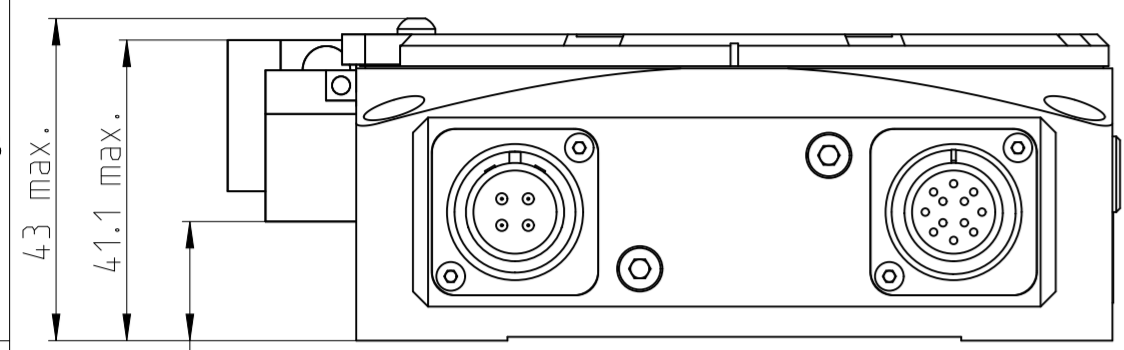


Text: Plug overflow added		ID number: 745535-01
Change No. C084361-05		Released: 19-Mar-19
ASME-DXRTO100203NASXXXX-T STANDALONE A		Tolerances as per ISO 8015 : 2011
ASME-DXRTO100203NASXXXX-T STANDALONE A		Tolerances selon ISO 8015 : 2011
Mating Dimensions / Cotes d'encombrement		Dimensions without tolerance
		Dimensions sans tolérances
The reproduction, distribution and utilization of this document as well as the communication of its contents to others without express authorization is prohibited. Offenders will be held liable for the payment of damages. All rights reserved. In the event of the grant of a patent, utility model or design. (ISO 16016)		
ETEL ETEL S.A. 2112 Môtiers SWITZERLAND		Version   Revision   Sheet   Page 751175-03-A-01     1   1 of 2

Fixed mechanical end-stop (optional)

mobile mechanical end-stop (optional)

air purge (optional)



Text: Plug overflow added			ID number: 745535-01
Original drawing			Change No. C084361-05
Scale 1:1			Released: 19-Mar-19
Format A2			Tolerances as per ISO 8015 : 2011
Dimensions in mm			Tolérances selon ISO 8015 : 2011
ASME-DXRTO100203NASXXXX-T STANDALONE A			Dimensions without tolerance
ASME-DXRTO100203NASXXXX-T STANDALONE A			Dimensions sans tolérances
Mating Dimensions / Cotes d'encombrement			
The reproduction, distribution and utilization of this document as well as the communication of its contents to others without express authorization is prohibited. Offenders will be held liable for the payment of damages. All rights reserved. In the event of the grant of a patent, utility model or design. (ISO 16016)			
<b>ETEL</b>		ETEL S.A. 2112 Môtiers SWITZERLAND	Version   Revision   Sheet   Page 751175-03-A-01     2   2
Document number			